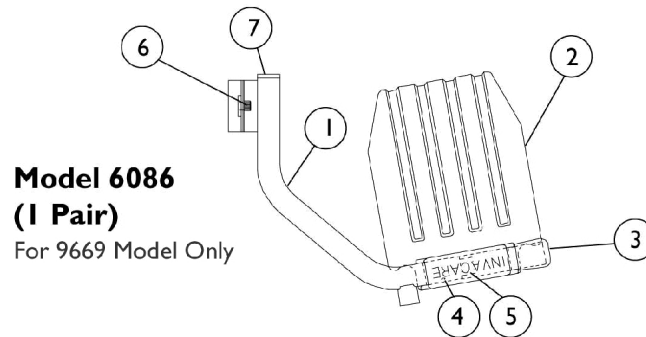


Clamp-On Footrests - Model 6086 (For 9669 Model Only)



Item Number	Note	Part Number	Description	Quantity Per	
				Package	Assembly
1		1023284-NLA	NLA - Footboard Arm - Right	1	1
1		1023285-NLA	NLA - Footboard Arm - Left	1	1
2		1012376-NLA	NLA - Footplate, Composite, Grey	1	2
3		40186X019-NLA	NLA - Tube, End Cap	1	2
4		7930354-NLA	NLA - Package, Phillips Head Screw (#8-32 x 3/8")	25	1
5		1006981	Spring, Tension	1	2
6		10368X001-NLA	NLA - Screw, Socket Head (1/4-28 x 1/2")	1	2
7		1027096	Plug Button, Grey (7/8")	1	2
	A	10369X000-NLA	NLA - Wrench, Allen (3/16")	1	1

NOTE: A - Not Shown.