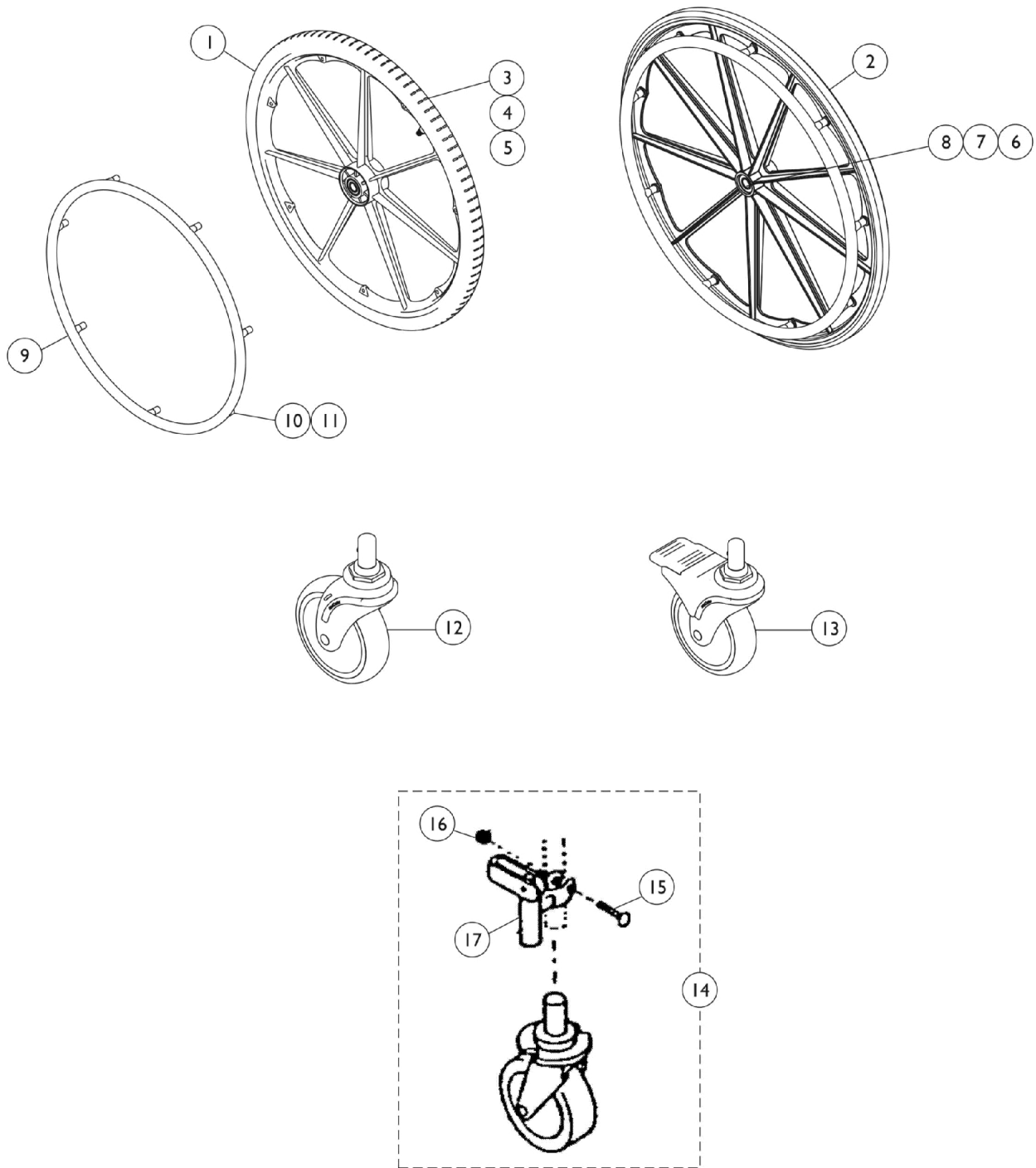


Rehab Shower/Commode Chair Casters, Handrims and 24" Wheels



Rehab Shower/Commode Chair Casters, Handrims and 24" Wheels

Item Number	Note	Part Number	Description	Quantity Per	
				Package	Assembly
1	A	1021397-NLA	NLA - Wheel, Pneumatic w/ Composite Handrim - Rear (7 Point) (24")	1	2
2	A,F	1023514-NLA	NLA - Wheel, Composite (24") with Composite Handrim	1	2
3	F	1020562-NLA	NLA - Wheel Assembly, Composite (24")	1	2
3	F	1080384-NLA	NLA - Wheel Assembly w/ Plastic Coated Handrim, Urethane - Rear (9 Point) (24")	1	2
4	A	40176X060	Tire, Composite Pneumatic, Grey (24" x 1-3/8")	1	2
4	M,N	40177X001-NLA	NLA - Tire, Urethane, Grey (24" x 7/8")	1	2
4	F,M,N	1039304	Tire, Urethane, Dark Grey (24" x 1")	1	2
5		40176X061	Tube, Inner, Black (24" x 1-3/8")	1	2
6		40117X006	Bearing (5/8")	1	4
	B,C	1021398-NLA	NLA - Hardware, Wheel	1	1
7		1021391-NLA	NLA - Screw, Hex Head (5/8-18 x 4-1/2")	1	2
8	A	1027600-NLA	NLA - Cap, Black	1	1
	B,D	1028832	Spacer (5/8 x 7/8 x 1/2")	1	2
	B,D	1023523-NLA	NLA - Locknut (5/8-18)	1	2
9	E	See Note	See Footnote	1	1
	B,F	1042074	Hardware, Handrim Attaching - 6 PT.	1	1
10	G,K	1098755	Screw, Hex Head SEMS (#8-10 x 1-1/2")	1	7
10	H	1031348-NLA	NLA - Screw w/ Washer (#10-32)	1	12
10		1025718-NLA	NLA - Screw, Phillips Pan Head (#10-32 x 1-3/4")	1	14
11	I	1025719-NLA	NLA - Spacer	1	14
12	J	1040673-NLA	NLA - Kit, Caster Assembly w/ Bearing Sleeve, Swivel w/o Lock (5")	1	2
12	J	1058160-NLA	NLA - Kit, Caster Assembly w/ Bearing Sleeve, Swivel w/o Lock (5") (Pair)	2	1
13	J	1040674-NLA	NLA - Caster Assembly with Lock	1	2
13	J	1058161-NLA	NLA - Package, Caster Assembly with Lock	4	1
14	D	6297-NLA	NLA - Caster Assembly with Directional Lock	2	1
15		11232X009	Bolt, Lug (5/16-24 x 1-3/8")	1	2
16		7930363-NLA	NLA - Package, Locknut (5/16"-24)	25	1
17		1003757-NLA	NLA - Lock, Swivel	1	2
	B,D	1016682	Bearing, Sleeve Caster	1	4
	B,D,L	1021384-NLA	NLA - Screw, Phillips Pan Head (#8-32 x 1/4")	1	4

Rehab Shower/Commode Chair Casters, Handrims and 24" Wheels

NOTE: A - For models 6492 and 6692.
B - Not shown.
C - Includes Screw, Spacer and Locknut.
D - See category titled, "Rehab Shower/Commode Chair Back Upholstery, Frame and Wheel Locks."
E - See category titled, "Handrim Options."
F - For Models 6495 and 6695.
G - After 5/19/97. For 7 & 9 Point Composite Handrims.
H - Before 5/19/97. For Aluminum Handrims.
I - Before 5/20/97. For Aluminum Handrims.
J - Replaces 6297 Caster.
K - For 7-Point and 9-Point Composite Handrims package of 1 and quantity of 9 for assembly.
L - For 6297.
M - New Tire will not fit old style Rim. Rim needs to be replaced.
N - If replacing old style #40177X001, then it is recommended that you replace in pairs #1123880 (not shown) due to style change.