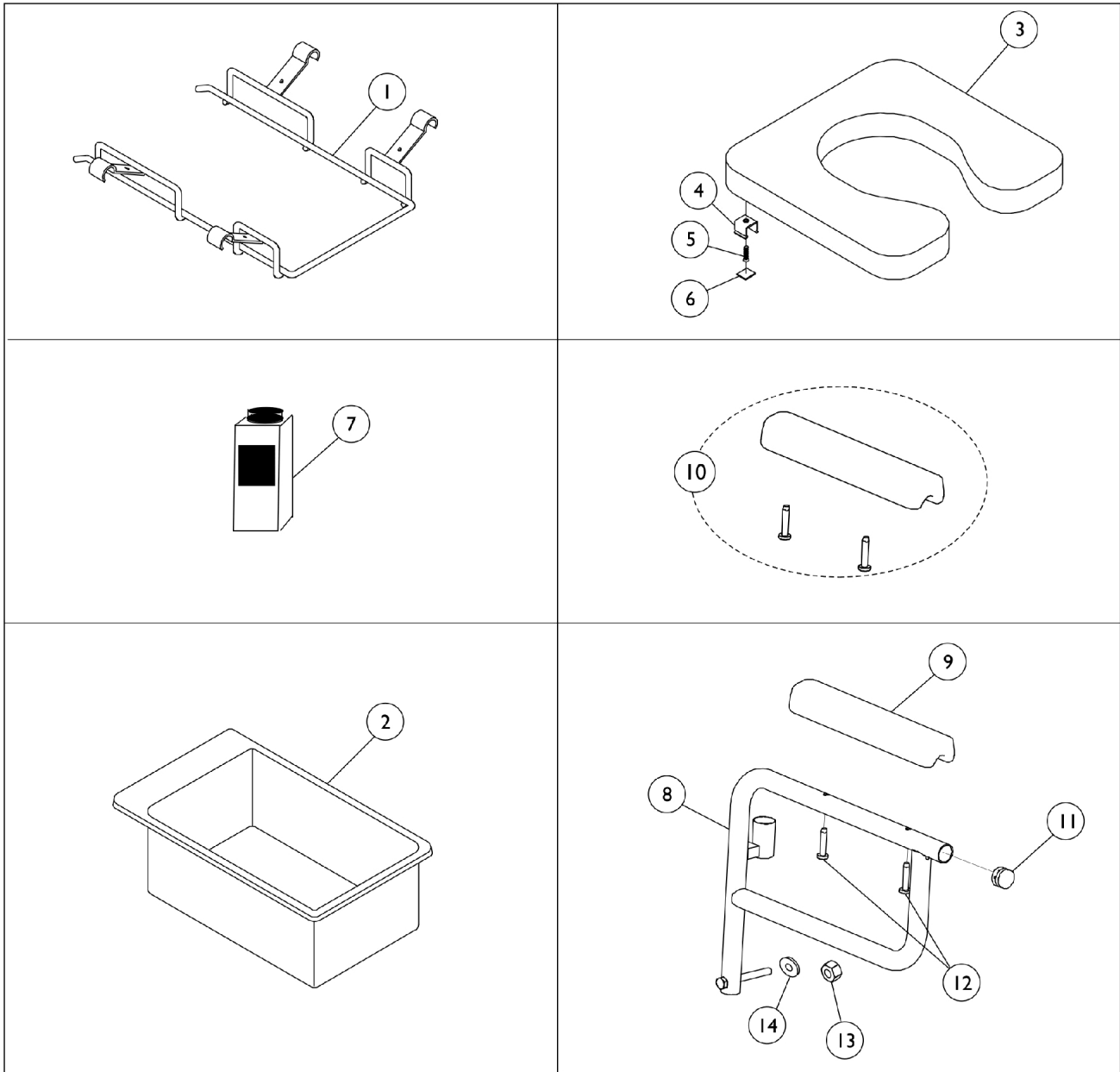


Rehab Shower/Commode Chair

Arms, Commode Seat, Safety Belt, Pan/Pan Holder and Touch-Up Paint



Rehab Shower/Commode Chair

Arms, Commode Seat, Safety Belt, Pan/Pan Holder and Touch-Up Paint

Item Number	Note	Part Number	Description	Quantity Per	
				Package	Assembly
1	C	1018710-NLA	NLA - Holder, Pan/Pail	1	1
1	D	1027841-NLA	NLA - Holder, Pan/Pail	1	1
2		13245X000	Pail, Commode, White	1	1
3	C,H	1017773-NLA	NLA - Seat, Padded Commode (16")	1	1
3	C,H	1123718	Padded Seat Assembly, Commode (16")	1	1
3	D,H	1028042-NLA	NLA - Seat, Padded Commode (18")	1	1
3		1123719	Padded Seat Assembly, Commode (18")	1	1
4		1025378	Hinge, Clip Seat	1	8
5		7930344-NLA	NLA - Package, Flat Head C-Sunk Screw (#10-32 x 1")	25	1
6		1029572-NLA	NLA - Pad, Rubber, Black	1	8
7	I	1057796-NLA	NLA - Paint, Touch-Up	1	1
8	A,E	1079129-NLA	NLA - Kit, Armrest, Navy Blue - Right	1	1
8	A,E	1079130-NLA	NLA - Kit, Armrest, Navy Blue - Left	1	1
8	A,B,F,L	1017683-NLA	NLA - Kit, Armrest, Navy Blue - Right	1	1
8	A,B,F	1017684-NLA	NLA - Kit, Armrest, Navy Blue - Left	1	1
9	E	1163889	Armrests (Pair)	2	1
9	B,F,K	1059660-NLA	NLA - Armrest, Full Length, Grey	1	2
9	I,J	1132261-NLA	NLA - Kit, Armrest with Hardware, Full Length - Grey	1	1
9			NLA - Armrest, Full Length, Grey	1	2
12			NLA - Screw, Phillips Pan Head (1/4 x 1-1/4")	1	4
10	B,G,I	1066569-NLA	NLA - Kit, Arm Pad w/ Hardware (Pair)	1	2
11		1027096	Plug Button, Grey (7/8")	1	12
12	E	1028635-NLA	NLA - Screw, Phillips Pan Head (#10-32 x 1-1/4")	1	4
12	F	1061431-NLA	NLA - Screw, Phillips Pan Head (1/4 x 1-1/4")	1	4
13		1021383-NLA	NLA - Locknut, Hex (5/16-18)	1	4
14		1016301	Washer, Nylon (5/16 x 7/8 x 1/8")	1	4

NOTE: A - Includes Frame and items 10 and 11.
 B - Due to style change, it is recommended that you order armpads in pairs (Item 9) after 9-3-99.
 C - 6490 Series.
 D - 6690 Series.
 E - Before 7/16/96.
 F - After 7/17/96.
 G - After 7/16/98.
 H - Includes Items 4 and 5.
 I - Not Shown.
 J - Kit includes (2) Armrests Part #1059660 and (4) Screws Part #1061431.
 K - Item no longer available, refer to Kit Part #1132261.
 L - Item no longer available, no replacement available.