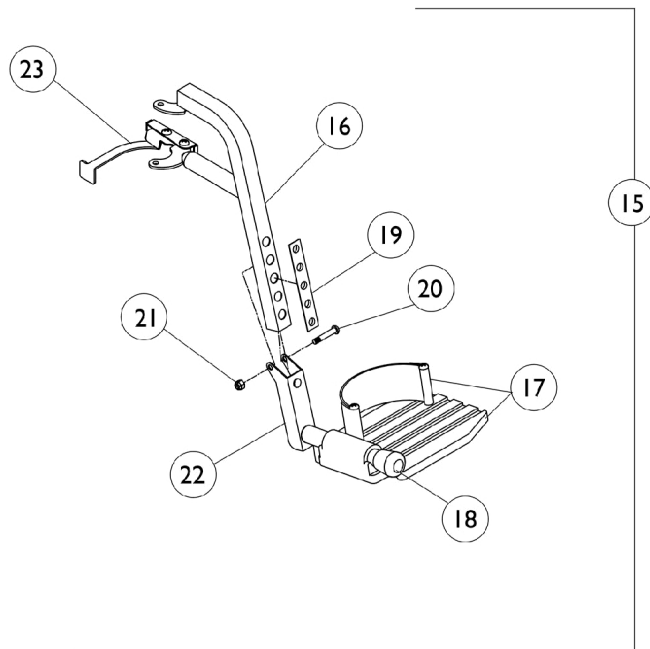
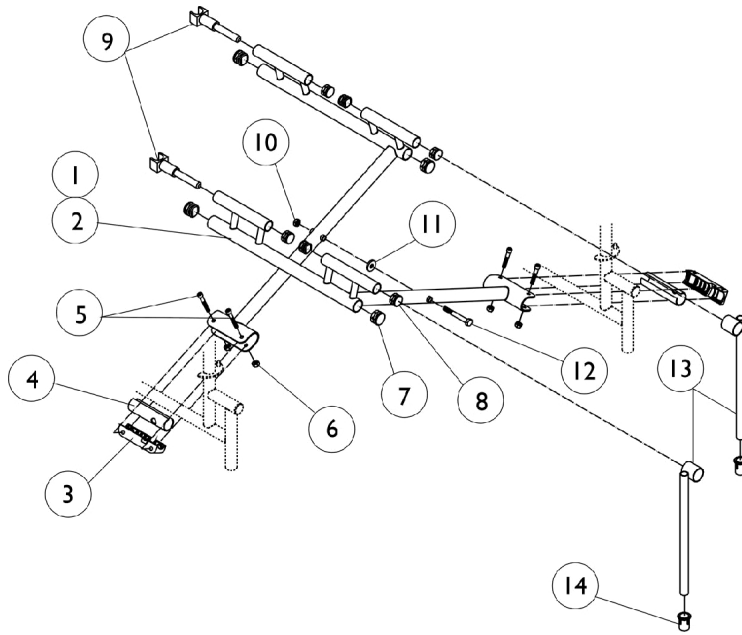


Rehab Shower/Commode Chair

Crossbraces, Footrest



Rehab Shower/Commode Chair Crossbraces, Footrest

| Item Number | Note | Part Number | Description | Quantity Per | |
|-------------|------|---------------|--|--------------|----------|
| | | | | Package | Assembly |
| 1 | A,B | 1025196-NLA | NLA - Crossbrace Assembly | 1 | 1 |
| 1 | A,C | 1028041-NLA | NLA - Crossbrace Assembly | 1 | 1 |
| 2 | B | 1023558-NLA | NLA - Crossbrace Assembly - Right | 1 | 1 |
| 2 | B | 1023559-NLA | NLA - Crossbrace Assembly - Left | 1 | 1 |
| 2 | C | 1028038-NLA | NLA - Crossbrace Assembly - Right | 1 | 1 |
| 2 | C | 1028039-NLA | NLA - Crossbrace Assembly - Left | 1 | 1 |
| 3 | | 1012172-NLA | NLA - Clamp, Saddle | 1 | 2 |
| 4 | | 1023560 | Insert, Guide Tube, Black (3-3/4" Long) | 1 | 2 |
| 5 | | 1008495 | Screw, Socket Button Head (1/4-20 x 1-1/2") | 1 | 4 |
| 6 | | 1023521-NLA | NLA - Locknut, Hex (1/4-20) | 1 | 4 |
| 7 | | 1057287 | Plug Button, Grey (1") | 1 | 4 |
| 8 | | 1040840-NLA | NLA - Plug Button, Grey (7/8") | 1 | 6 |
| 9 | | 1025197-NLA | NLA - Guide, Rear Seat | 1 | 2 |
| 10 | | 1021383-NLA | NLA - Locknut, Hex (5/16-18) | 1 | 1 |
| 11 | | 1008882 | Locknut (1/4-20) | 1 | 1 |
| 12 | | 90162X000-NLA | NLA - Screw, Hex Head (5/16-18 x 2-1/2") | 1 | 1 |
| 13 | | 1017064-NLA | NLA - Guide, Front Seat | 1 | 2 |
| 14 | | 40186X017-NLA | NLA - Tube, Insert | 1 | 2 |
| 15 | | 1026250-NLA | NLA - Footrest Assembly - Right | 1 | 1 |
| 15 | | 1026249-NLA | NLA - Footrest Assembly - Left | 1 | 1 |
| 16 | D | 1017071 | Tube, Footrest Support, Navy Blue - Right | 1 | 1 |
| 16 | D | 1017072 | Tube, Footrest Support, Navy Blue - Left | 1 | 1 |
| 17 | E | 1021426-NLA | NLA - Footplate with Heel Loop Assembly - Right | 1 | 1 |
| 17 | E | 1021427-NLA | NLA - Footplate with Heel Loop Assembly - Left | 1 | 1 |
| 18 | | 40186X019-NLA | NLA - Tube, End Cap | 1 | 1 |
| 19 | E | 1017091-NLA | NLA - Bushing, Strip | 1 | 1 |
| 20 | | 1023968-NLA | NLA - Screw, Socket Button Head (1/4-20 x 1-7/16") | 1 | 2 |
| 21 | | 1025736 | Locknut (1/4-20) | 1 | 1 |
| 22 | | 1017075-NLA | NLA - Tube, Pivot | 1 | 2 |
| 23 | E | 1101096-NLA | NLA - Release Handle - Right | 1 | 1 |
| 23 | E | 1101097-NLA | NLA - Release Handle - Left | 1 | 1 |

NOTE: A - Includes Crossbraces and items 7, 8 and 10-12.
B - For models 6490, 6492 and 6495.
C - For models 6690, 6692 and 6695.
D - After 2/20/95.
E - Individual items no longer available, the entire assembly must be ordered item #15.