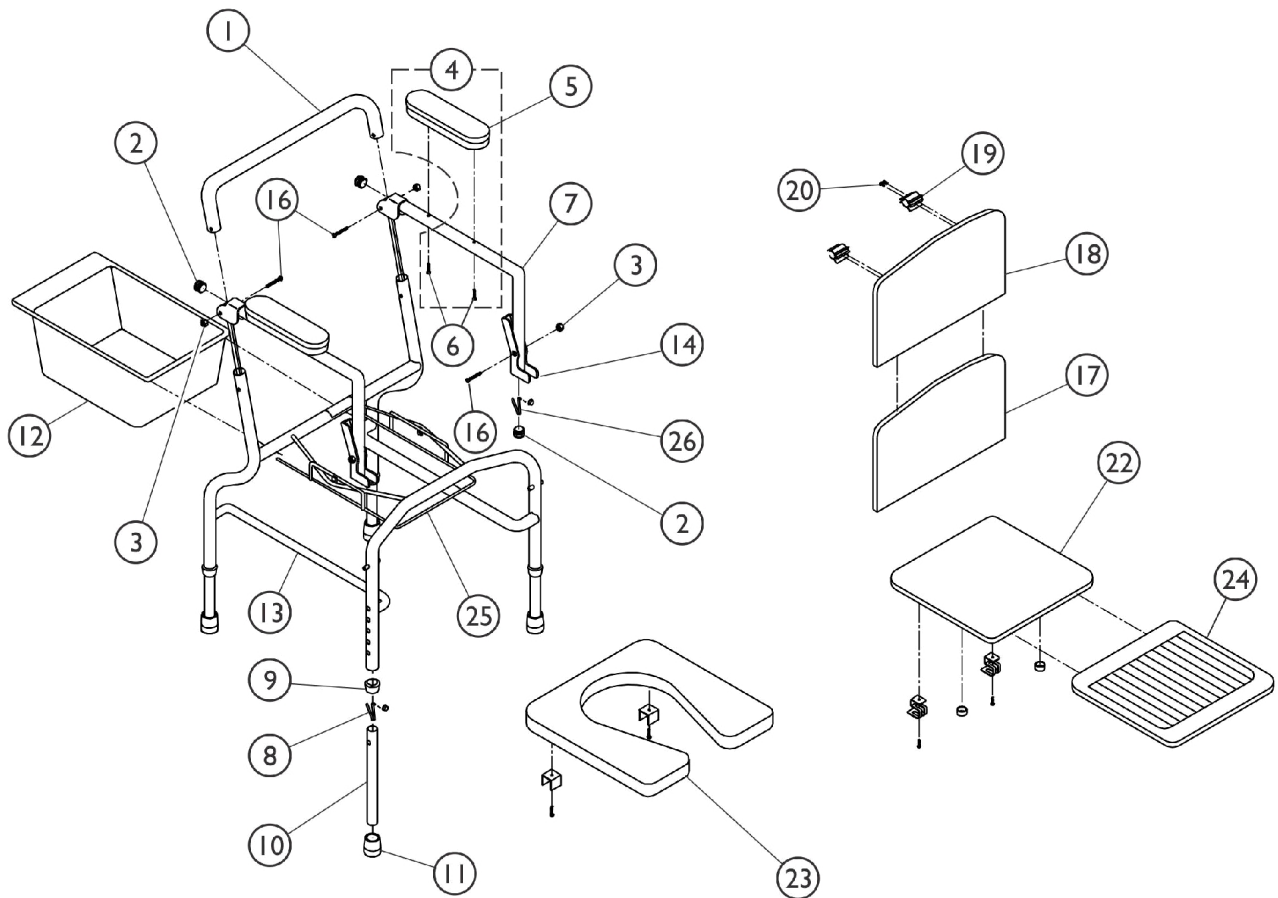


# Drop Arm Deluxe Stationary Commode - Model 9671 (Discontinued)

**Model 9671**  
**(Deluxe, Grey)**



## Drop Arm Deluxe Stationary Commode - Model 9671 (Discontinued)

Item Number	Note	Part Number	Description	Quantity Per	
				Package	Assembly
1		1020575-NLA	NLA - Tube, Back, Chrome	1	1
2		1027096	Plug Button, Grey (7/8")	1	4
3		1008882	Locknut (1/4-20)	1	4
4	A	1066569-NLA	NLA - Kit, Arm Pad w/ Hardware (Pair)	2	1
5	A	1059660-NLA	NLA - Armrest, Full Length, Grey	1	2
	F,G	1132261-NLA	NLA - Kit, Armrest with Hardware, Full Length - Grey	1	1
5			NLA - Armrest, Full Length, Grey	1	2
6			NLA - Screw, Phillips Pan Head (1/4 x 1-1/4")	1	4
6		1061431-NLA	NLA - Screw, Phillips Pan Head (1/4 x 1-1/4")	1	4
7		1062018-NLA	NLA - Tube, Arm, Chrome	1	2
8		1094945	Button, Snap	1	6
9		16803X001-NLA	NLA - Anti-Rattle, Grey (7/8")	1	4
10		1020580-NLA	NLA - Tube, Leg Extension	1	4
11		1008666-NLA	NLA - Tip, Rubber, Grey (3/4")	1	4
12		13245X000	Pail, Commode, White	1	1
13		1020581-NLA	NLA - Frame, Drop Arm, Chrome	1	1
14		1020576-NLA	NLA - Latch, Arm	1	2
16		18858X000-NLA	NLA - Screw, Phillips Pan Head (1/4-20 x 1-1/2")	1	2
17		13234X000-NLA	NLA - Back, Plastic	1	1
18		1031394-NLA	NLA - Cover, Back, Grey	1	1
19		1022742-NLA	NLA - Clip	1	2
20		1023281-NLA	NLA - Screw, Phillips Pan Head Tap (#8-18 x 1/2")	1	4
22	B	13221X000	Square Lid w/ Hardware	1	1
23	B	13211X000	Square Seat w/ Hardware	1	1
24		1031402-NLA	NLA - Upholstery, Seat Cover, Grey	1	1
25		1027004-NLA	NLA - Pan Holder, Coated	1	1
26		1040837-NLA	NLA - Button, Snap	1	2
26		1094945	Button, Snap	1	2
	F,H	1062011-NLA	Instruction Sheet, Drop Arm Commode	1	1
	F	1148075-NLA	NLA - Instruction Sheet	--	--

NOTE: A - Due to style changes, it is recommended to order armpads in pairs (After 9-3-99).  
B - See category titled, "Seat & Lid" for additional hardware information.  
F - Kit includes (2) Armrests Part #1059660 and (4) Screws Part #1061431.  
G - Item no longer available, refer to Part #1148075 for replacement.  
H - Item no longer available, refer to Kit Part #1132261.