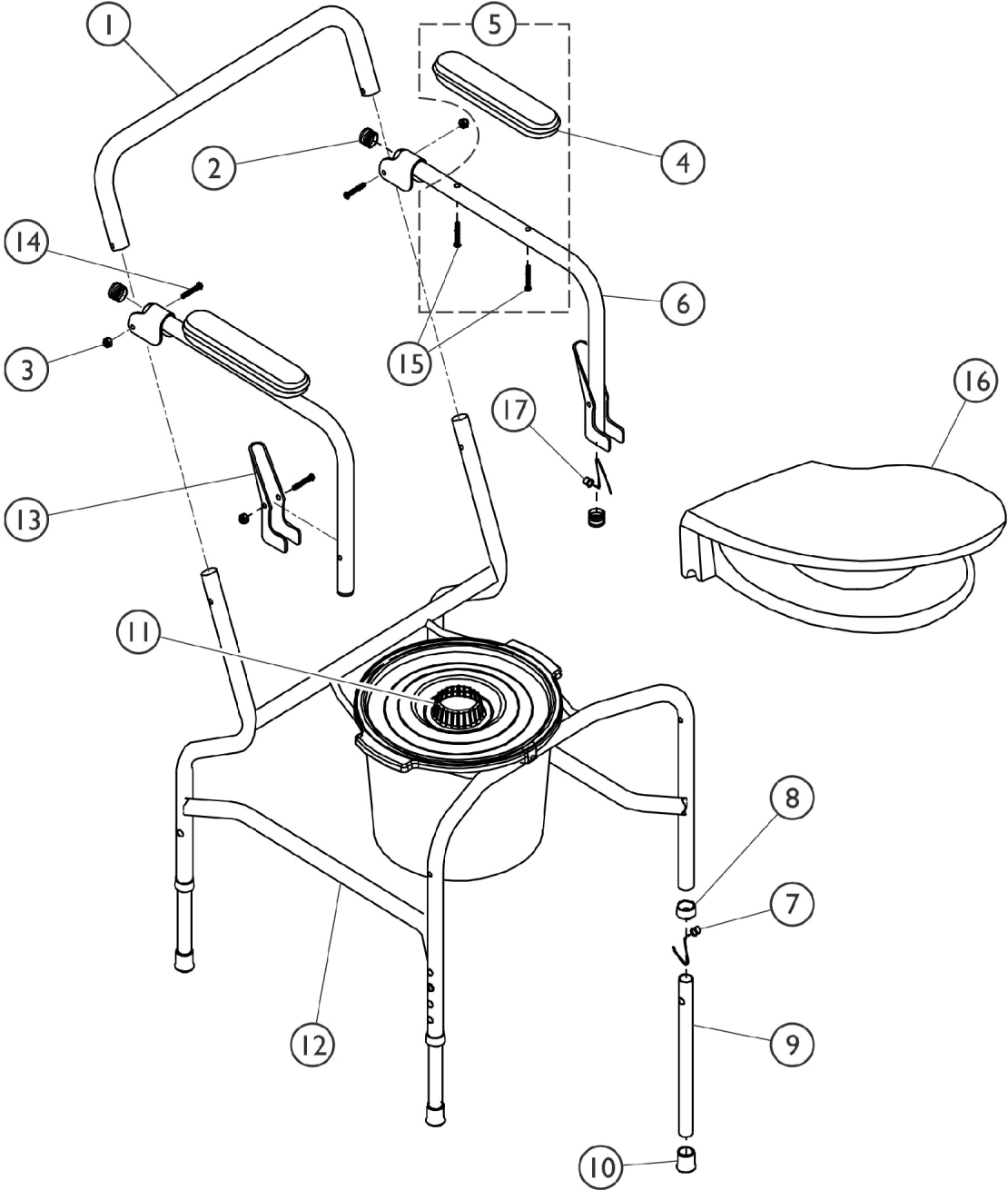


Drop Arm Stationary Commode - Model 9669

Model 9669



Drop Arm Stationary Commode - Model 9669

Item Number	Note	Part Number	Description	Quantity Per	
				Package	Assembly
1		1020575-NLA	NLA - Tube, Back, Chrome	1	1
1		1119481-NLA	NLA - Tube, Back, White	1	1
2		1027096	Plug Button, Grey (7/8")	1	4
3		1008882	Locknut (1/4-20)	1	4
4	A,E,H	1059660-NLA	NLA - Armrest, Full Length, Grey	1	2
	B,G	1132261-NLA	NLA - Kit, Armrest with Hardware, Full Length - Grey	1	1
4			NLA - Armrest, Full Length, Grey	1	2
15			NLA - Screw, Phillips Pan Head (1/4 x 1-1/4")	1	4
4	F	1119218-NLA	NLA - Armrest, Two-Piece Assembly, Grey	1	2
5	A	1066569-NLA	NLA - Kit, Arm Pad w/ Hardware (Pair)	2	1
6		1062018-NLA	NLA - Tube, Arm, Chrome	1	2
6		1119485-NLA	NLA - Tube, Arm, White	1	2
7		1094945	Button, Snap	1	6
8		16803X001-NLA	NLA - Anti-Rattle, Grey (7/8")	1	4
9		1020580-NLA	NLA - Tube, Leg Extension	1	4
9		1119483-NLA	NLA - Tube, Leg Extension	1	4
10		1008666-NLA	NLA - Tip, Rubber, Grey (3/4")	1	4
11	I	1080083-NLA	NLA - Pail with Lid and Handle, Grey	1	1
11		1152022	Pail w/ Lid and Handle, Grey	1	1
11	J	1062023-NLA	NLA - Pail with Lid w/o Handle, Grey	1	1
11	K	1151955	Pail w/ Lid w/o Handle, Grey	1	1
11		6317	Package, Pail w/ Lid w/o Handle	12	1
12		1020581-NLA	NLA - Frame, Drop Arm, Chrome	1	1
12		1119484-NLA	NLA - Frame, Drop Arm, White	1	1
13		1020576-NLA	NLA - Latch, Arm	1	2
13		1123997-NLA	NLA - Latch, Arm, White	1	2
14		18858X000-NLA	NLA - Screw, Phillips Pan Head (1/4-20 x 1-1/2")	1	2
15		1061431-NLA	NLA - Screw, Phillips Pan Head (1/4 x 1-1/4")	1	4
16	C	1062028-NLA	NLA - Seat w/ Lid, Snap On	1	1
16		1061998-NLA	NLA - Seat, Ring	1	1
17		1040837-NLA	NLA - Button, Snap	1	2
17		1094945	Button, Snap	1	2
	B	6313-NLA	NLA - Square Seat and Lid w/ Hardware, Grey	1	1
	B	13211X000	Square Seat w/ Hardware	1	1
	B	13221X000	Square Lid w/ Hardware	1	1
	B,C	1062844-NLA	NLA - Bail, Handle for Pail	1	1

NOTE: A - Due to style change, it is recommended that you order arm pads in pairs (item #4 - 1059660) after 9/3/99.

B - Not Shown.

C - Accessory.

E - After 12/14/04, refer to Part #1119218.

F - Includes Upper and Lower Armrest.

G - Kit includes (2) Armrests Part #1059660 and (4) Screws Part #1061431.

H - Item no longer available, refer to Kit Part #1132261.

I - Item no longer available, refer to part #1152022 for replacement.

J - Before 8/16/07.

K - After 8/15/07.