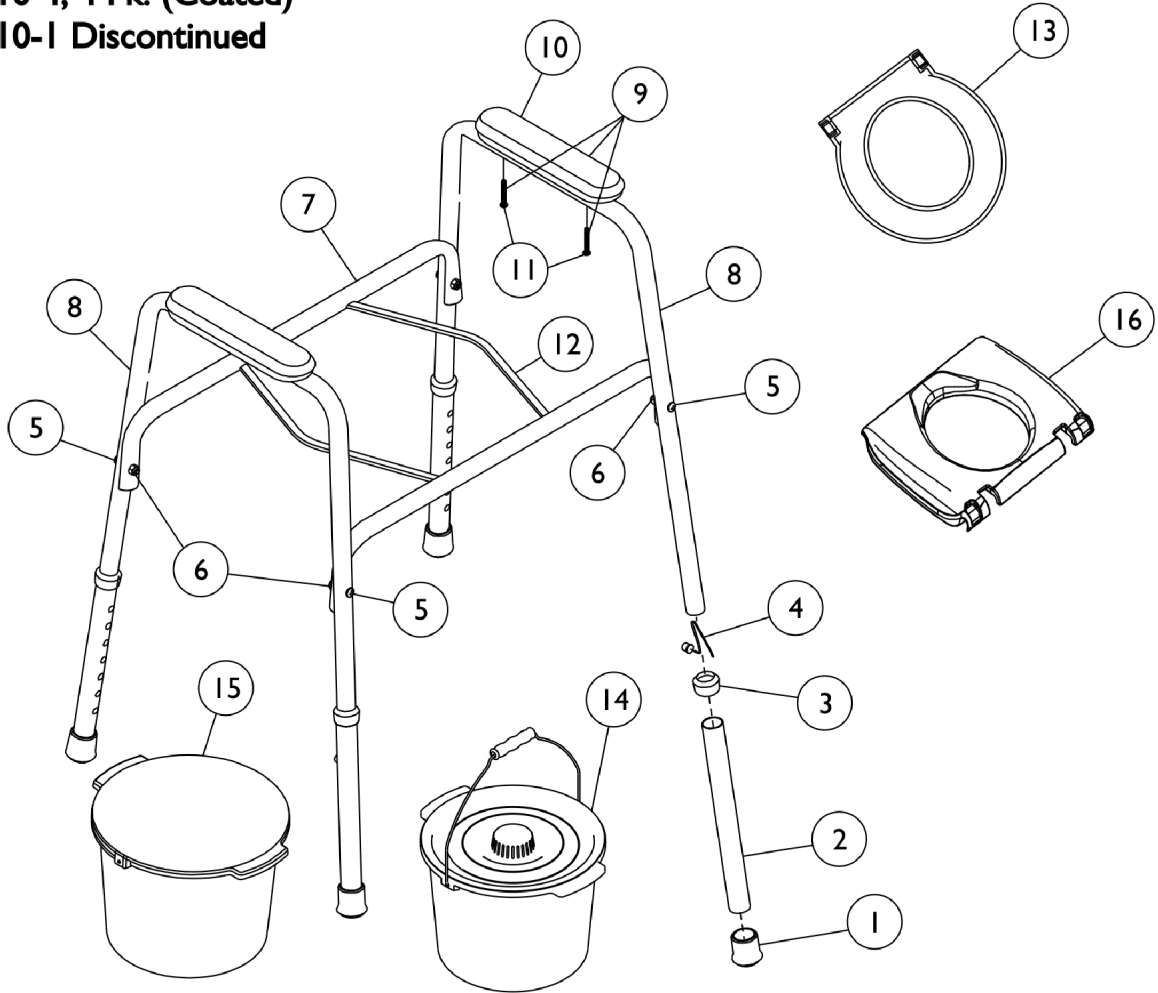


Safeguard Commode w/o Back Tube - Model 9610-4 (Before 4/16/13)

Model 9610-4, 4 Pk. (Coated)
Model 9610-1 Discontinued



Safeguard Commode w/o Back Tube - Model 9610-4 (Before 4/16/13)

Item Number	Note	Part Number	Description	Quantity Per	
				Package	Assembly
1		40186X030	Tip, Rubber, Grey (1")	1	4
2		1062005-NLA	NLA - Tube, Leg Extension, White	1	4
3		1062021-NLA	NLA - Anti-Rattle, Grey (1")	1	4
4		1094945	Button, Snap	1	4
5		1073248-NLA	NLA - Screw, Phillips Pan Head (1/4-20 x 1-1/4")	1	4
6		1008882	Locknut (1/4-20)	1	4
7		1062003-NLA	NLA - Rail, Seat, Coated	1	2
8		1062002-NLA	NLA - Tube, Arm with Holes, White	1	2
9	A	1066569-NLA	NLA - Kit, Arm Pad w/ Hardware (Pair)	2	1
10	A,G,K	1059660-NLA	NLA - Armrest, Full Length, Grey	1	2
	B,I	1132261-NLA	NLA - Kit, Armrest with Hardware, Full Length - Grey	1	1
10			NLA - Armrest, Full Length, Grey	1	2
11			NLA - Screw, Phillips Pan Head (1/4 x 1-1/4")	1	4
10	H	1119218-NLA	NLA - Armrest, Two-Piece Assembly, Grey	1	2
11		1061431-NLA	NLA - Screw, Phillips Pan Head (1/4 x 1-1/4")	1	4
12		1019161-NLA	NLA - Holder, Pan/Pail	1	1
	B,J,N	1132262-NLA	NLA - Kit, Seat Ring with Pail and Holder	1	1
12			NLA - Holder, Pan/Pail	1	2
13			NLA - Seat, Ring	1	1
14			NLA - Pail with Lid and Handle, Grey	1	1
	B,M,O	1152023-NLA	NLA - Kit, Seat Ring with Pail and Holder	1	1
13	C,F	1061998-NLA	NLA - Seat, Ring	1	1
14	L	1080083-NLA	NLA - Pail with Lid and Handle, Grey	1	1
14		1152022	Pail w/ Lid and Handle, Grey	1	1
14	N,P	1062023-NLA	NLA - Pail with Lid w/o Handle, Grey	1	1
14	O	1151955	Pail w/ Lid w/o Handle, Grey	1	1
14	D	6317	Package, Pail w/ Lid w/o Handle	12	1
15		1062022	Shield, Splash, Grey	1	1
15	D	6319	Shield, Splash	12	1
16	C,F	1112199-NLA	NLA - Seat, Commode	1	1
	B,E	1062844-NLA	NLA - Bail, Handle for Pail	1	1
	B	13211X000	Square Seat w/ Hardware	1	1
	B	13221X000	Square Lid w/ Hardware	1	1

NOTE: A - Due to style change, it is recommended that you order arm pads in pairs (Item 10 #1059660) after 9/3/99.
 B - Not Shown.
 C - Snap On.
 D - Accessory 12 pack - Grey.
 E - Accessories.
 F - Due to style change, effective 11/5/02, commode seats new #1112199 and old #1061998 are interchangeable.
 G - After 12/14/04, refer to Part #1119218.
 H - Includes Upper and Lower Armrest.
 I - Kit includes (2) Armrests Part #1059660 and (4) Screws Part #1061431.
 J - Kit includes items 12-14.
 K - Item no longer available, refer to Kit Part #1132261.
 L - Item no longer available, refer to part #1152022 for replacement.
 M - Kit includes Pail, Seat Ring, and Holder.
 N - Before 8/16/07.
 O - After 8/15/07.
 P - No longer available, use 1151955 as replacement part.