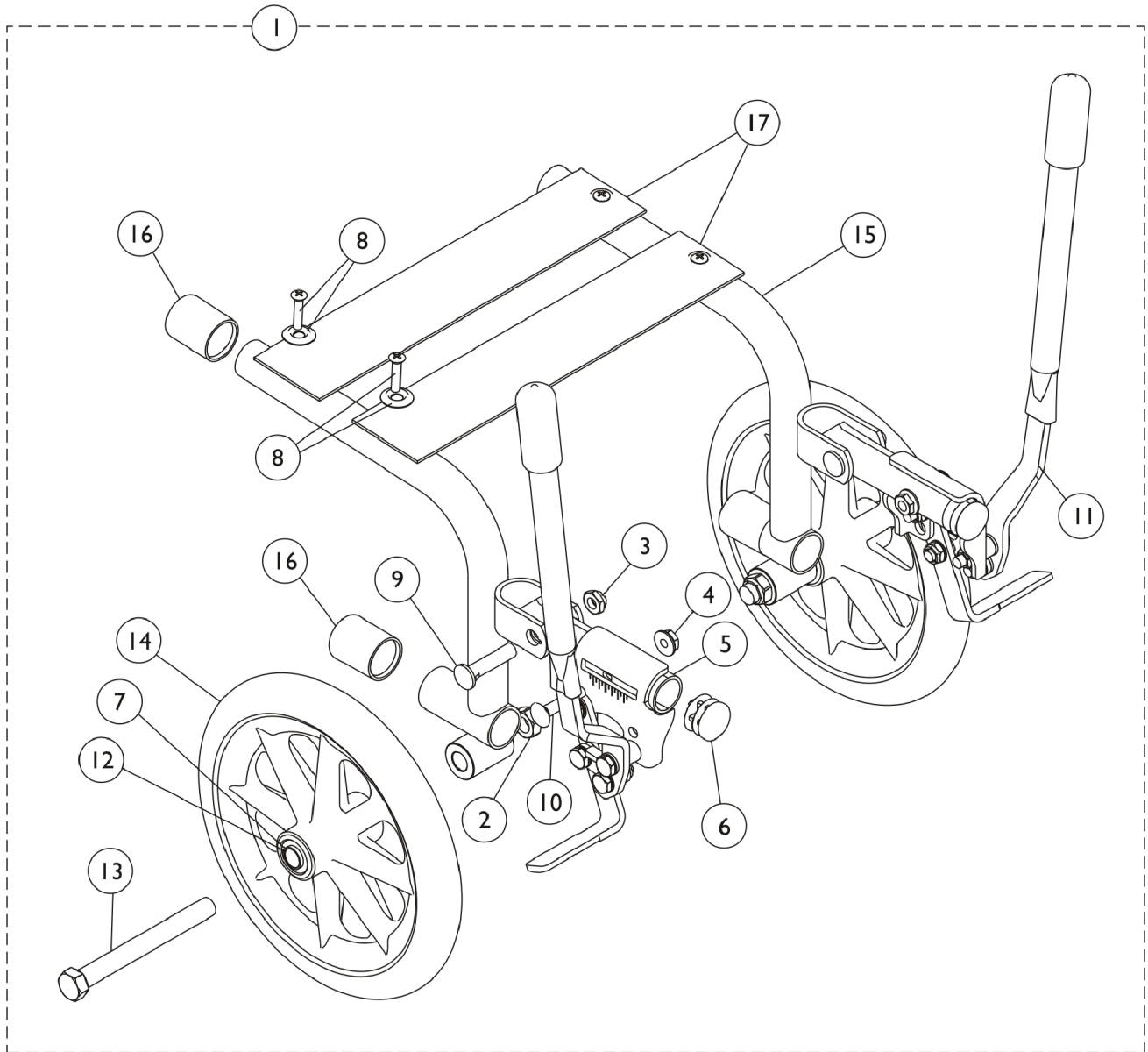


# Transport Kit w/ Luggage Rack

**NOTE:** Due to the possibility of various manufacturing dates for Tracer IV Wheelchairs built with a serial # starting with "03H" or "03I", replacement parts will need to be ordered thru an Invacare Parts Specialist at 1-800-333-6900.



## Transport Kit w/ Luggage Rack

**NOTE:** Due to the possibility of various manufacturing dates for Tracer IV Wheelchairs built with a serial # starting with "03H" or "03I", replacement parts will need to be ordered thru an Invacare Parts Specialist at 1-800-333-6900.

Item Number	Note	Part Number	Description	Quantity Per	
				Package	Assembly
1	B	1042420-NLA	NLA - Kit, Transport w/Luggage Rack	1	1
2		20225X000	Locknut (7/16-20)	1	2
3		1107321	Nut, Low Cap (5/16"-24)	1	2
4		16721X000	Locknut (1/4-20)	1	2
5		1014333-NLA	NLA - Tube, Mounting	1	2
6		1027095	Plug Button, Black (7/8")	1	2
7		1040102	Bearing (7/16")	1	4
8	C	1076283	Screw, Phillips Oval Head w/ Washer (#10-16 x 7/8")	1	4
8	D	1041541	Package, Screw Phillips Csunk Oval Head w/ Washer (#10-16 x 7/8") (12 ea.)	1	4
9		11232X009	Bolt, Lug (5/16-24 x 1-3/8")	1	2
10		1011479	Bolt, Carriage (1/4-20 x 1-1/4")	1	2
11		1014353-NLA	NLA - Wheel Lock, Push to Lock - Right	1	1
11		1014354-NLA	NLA - Wheel lock, Push to Lock - Left	1	1
12		1037911	Spacer, Bearing (7/16 x 5/8 x 1-5/8")	1	2
13		47203X024-NLA	NLA - Bolt, Hex Head (7/16-20 x 4")	1	2
14		1041590	Wheel, Black (8")	1	2
15		04609X015-NLA	NLA - Tube, Support - Right	1	1
15		04609X016-NLA	NLA - Tube, Support - Left	1	1
16		1016346	Cap, End, Tube, Black (7/8")	1	4
17		47465X000-NLA	NLA - Webbing, Luggage Strap	1	2
	A	1016945-NLA	NLA - Loop, Luggage Belt	1	1
	A	1016946-NLA	NLA - Hook, Luggage Belt	1	1

NOTE: A - Not Shown  
 B - Includes items 1-16 and the items "not shown"  
 C - Package includes 25 screws w/washers.  
 D - Package includes 12 screws w/washers.