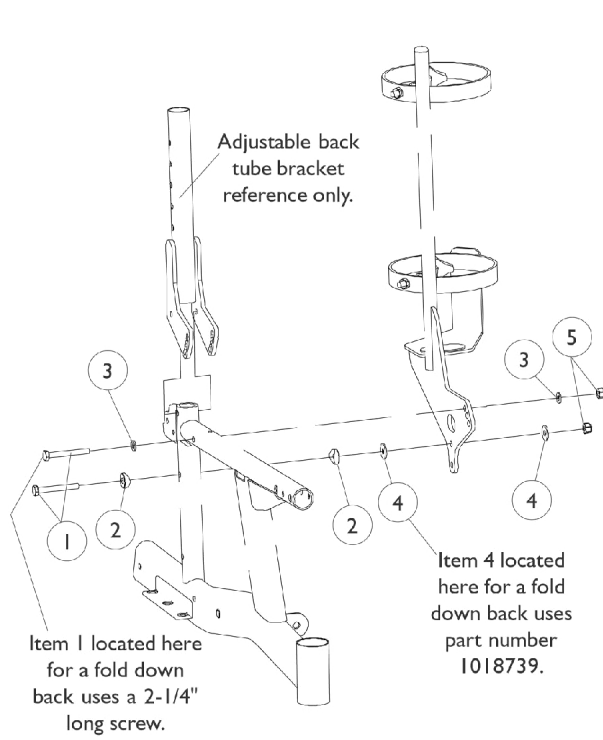
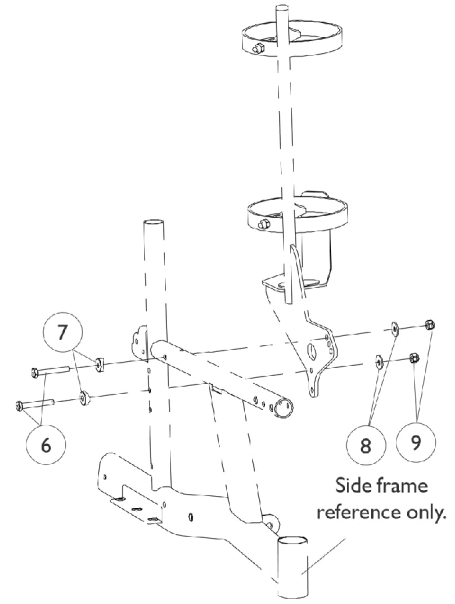
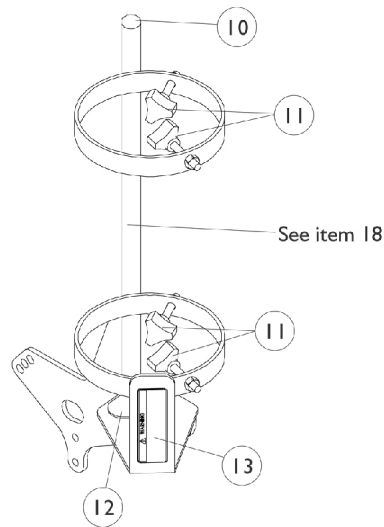


# Accessories

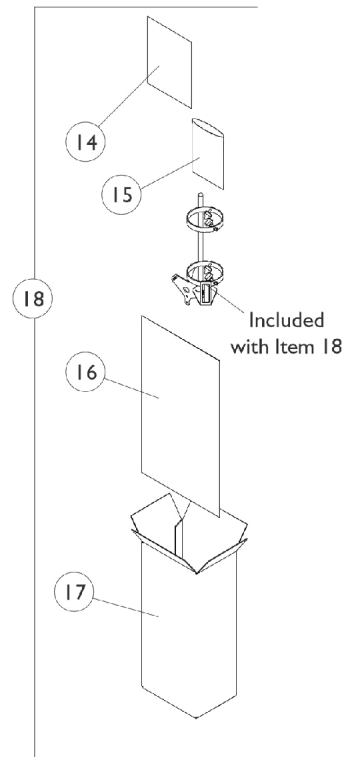
## Oxygen Holder Assembly



Oxygen Holder Mounting Hardware  
(For Adjustable Angle and Fold Down Back)



Oxygen Holder Mounting Hardware  
(For Sectional Back)



## Accessories

### Oxygen Holder Assembly

Item Number	Note	Part Number	Description	Quantity Per	
				Package	Assembly
1	A	1024796-NLA	NLA - Screw, Hex Head (1/4-20 x 2")	1	2
1	B	1026154-NLA	NLA - Screw, Hex Head (1/4-20 x 2-1/4")	1	1
2		1026099	Spacer, Coved (1/4 x 11/16 x 1/2")	1	2
3		1026907	Washer (1/4 x 1/2 x 1/16")	1	8
4	A	1026900	Washer (1/4 x 23/32 x 1/16")	1	2
4	B	1018739	Washer (1/4 x 5/8 x 3/32")	1	1
5		1025736	Locknut (1/4-20)	1	3
6		1024793-NLA	NLA - Screw, Hex Head (1/4-20 x 1-3/4")	1	2
7		1026099	Spacer, Coved (1/4 x 11/16 x 1/2")	1	2
8		1026900	Washer (1/4 x 23/32 x 1/16")	1	2
9		1025736	Locknut (1/4-20)	1	2
10		1018133	Plug Button, Black (5/8")	1	1
11		1027684	Knob, Clamping, Black	1	4
12		1072002-NLA	NLA - Pad, Non Skid	1	1
13		1080866	Decal, Oxygen Warning - English	1	1
14	D	1110557-NLA	NLA - Instruction Sheet, Oxygen Holder Assembly	1	1
15		1021148-NLA	NLA - Bag, Poly Zip-Lip (8-3/4" L x 6" W)	1	1
16		1021866-NLA	NLA - Bag, Poly (26" L x 15" W)	1	1
17		1097276-NLA	NLA - Carton, Shipper	1	1
18	C	1110404-NLA	NLA - Oxygen Holder Assembly Kit with Instruction Sheet	1	1

NOTE: A - Fold down back uses 1  
B - Fold down back only  
C - Includes items 1-17  
D - Item is no longer available from the Invacare Service Parts Department. Refer to the Invacare Website under "Product Literature Search". Enter the part number in the "Keywords" field and download a free PDF version copy.