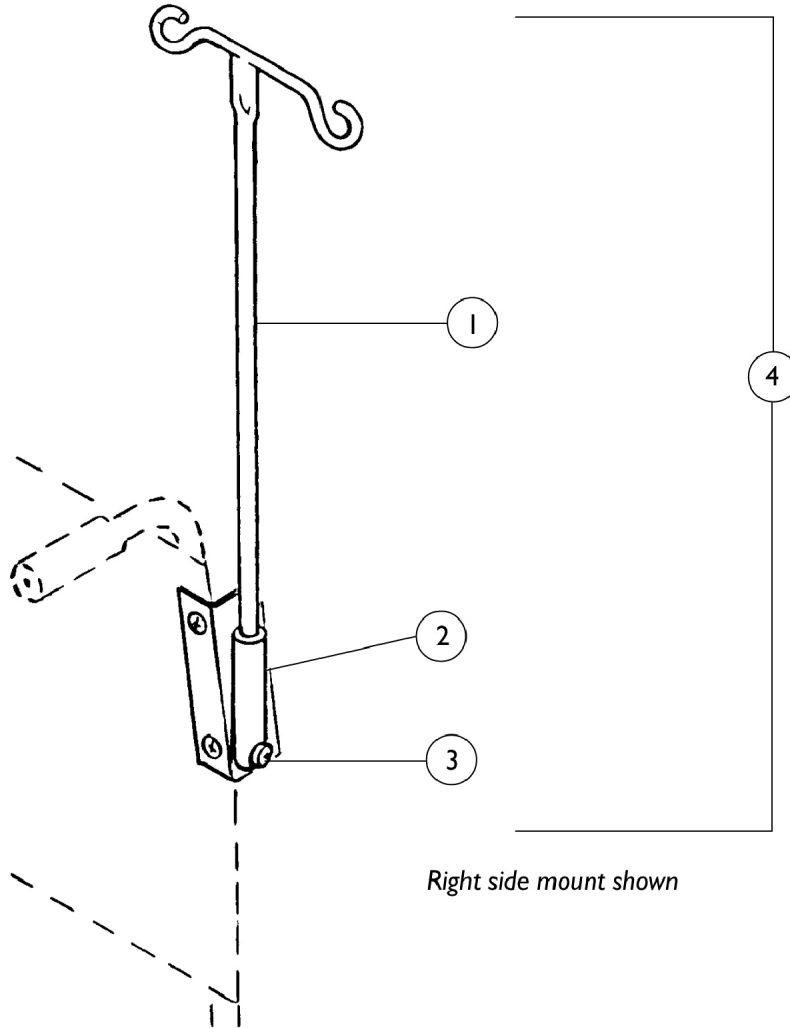


I.V. Rod - Fixed Height

NOTE: Due to the possibility of various manufacturing dates for Tracer IV Wheelchairs built with a serial # starting with "03H" or "03I", replacement parts will need to be ordered thru an Invacare Parts Specialist at 1-800-333-6900.



Item Number	Note	Part Number	Description	Quantity Per	
				Package	Assembly
1		04701X041	Rod, I.V., Recliner, Black	1	1
2		04701X016-NLA	NLA - Mount, Socket, Black- Right	1	1
2		04701X017-NLA	NLA - Mount, Socket, Black - Left	1	1
3		21243X000-NLA	NLA - Screw, Phillips Pan Head (#6-20 x 3/8")	1	1
4	A	1042416	Rod, I.V., Fixed Height - Right Mount	1	1
4	A	1042417-NLA	NLA - Rod, I.V., Fixed Height - Left Mount	1	1

NOTE: A - Includes items 1-3