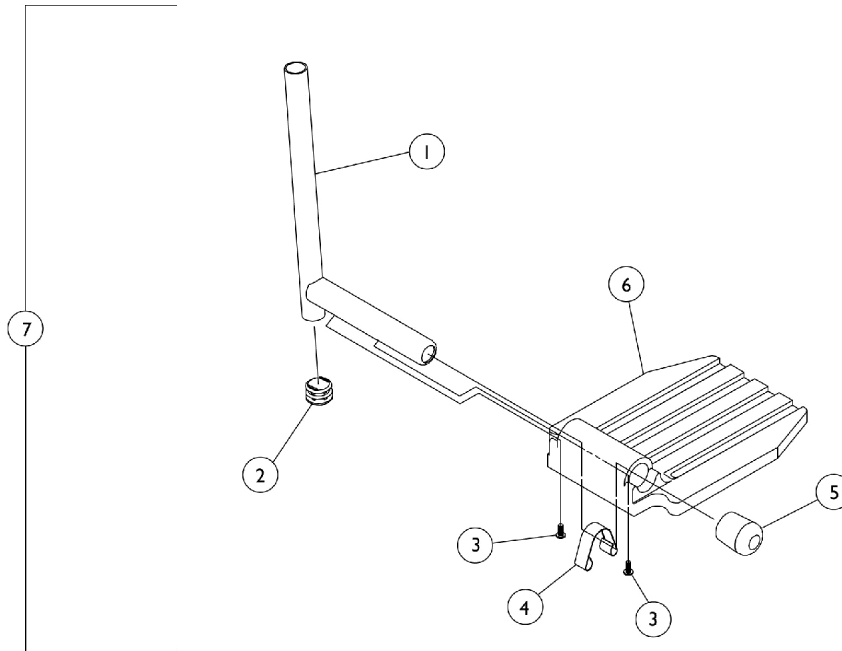


Pivot/Slide Tube w/ Footplate

TR13, TLX3A/C/S, TLXH3A/C, T933A/C/S, T943A/C Footrests

NOTE: Due to the possibility of various manufacturing dates for Tracer IV Wheelchairs built with a serial # starting with "03H" or "03I", replacement parts will need to be ordered thru an Invacare Parts Specialist at 1-800-333-6900.



Item Number	Note	Part Number	Description	Quantity Per	
				Package	Assembly
1		1041528-NLA	NLA - Pivot/Slide Tube w/ Plug Button, Chrome	1	1
1		1041527	Pivot/Slide Tube w/ Plug Button, Black	1	1
2		1027097	Plug Button, Black (3/4")	1	1
3		40120X001	Screw, Phillips Pan Head (#8-32 x 3/8")	1	2
4		1006981	Spring, Tension	1	1
5		1016346	Cap, End, Tube, Black (7/8")	1	1
6		1015178	Footplate, Composite, Black (6" W x 7-53/64" L)	1	1
6	A	44200X059	Footplate, Aluminum, Small, Black (6-3/4" W x 6" L)	1	1
6	A	44200X027	Footplate, Aluminum, Medium, Black (7-3/4" W x 6" L)	1	1
6		44200X025	Footplate, Aluminum, Extra Large, Black - Right (8" W x 8-1/2" L)	1	1
6		44200X026	Footplate, Aluminum, Extra Large, Black - Left (8" W x 8-1/2" L)	1	1
7		See Chart	Pivot Slide Tube with Footplate	1	1

NOTE: A - Aluminum footplates on chairs built before 2/96 had a "Ball Burnish" finish. Footplates after 1/96 now have a black finish. When replacing 1 ball burnish footplate it is suggested that 2 new (black) footplates be ordered.

Pivot Slide Tube with Footplate

Pivot/Slide Tube w/ Footplate

TR13, TLX3A/C/S, TLXH3A/C, T933A/C/S, T943A/C Footrests

NOTE: Due to the possibility of various manufacturing dates for Tracer IV Wheelchairs built with a serial # starting with "03H" or "03I", replacement parts will need to be ordered thru an Invacare Parts Specialist at 1-800-333-6900.

Pivot Slide Tube with Footplate

Model Numbers	Chair Width	Pivot Slide Tube with Aluminium Footplate	Pivot Slide Tube with Composite Footplate	Pivot Slide Tube with Extra Large Footplate
TR13, T933A, T933C, T933S, TR13, TLX3A, TLX3C, TLX3S	14" - Right	1020232-NLA See Note(s) A	N/A	N/A
TR13, T933A, T933C, T933S, TR13, TLX3A, TLX3C, TLX3S	14" - Left	1020233-NLA See Note(s) A	N/A	N/A
TR13, T933A, T933C, T933S, TR13, TLX3A, TLX3C, TLX3S	16"-20" - Right	1017243-NLA See Note(s) A	1017224-NLA See Note(s) B	1031926-NLA
TR13, T933A, T933C, T933S, TR13, TLX3A, TLX3C, TLX3S	16"-20" - Left	1017244-NLA See Note(s) A	1017225-NLA See Note(s) B	1031927-NLA
TR13, T933A, T933C, T933S, TR13, TLX3A, TLX3C, TLX3S	20"-24" - Right	1031926-NLA	N/A	1031926-NLA
TR13, T933A, T933C, T933S, TR13, TLX3A, TLX3C, TLX3S	20"-24" - Left	1031927-NLA	N/A	1031927-NLA
T93AA, T93AC	16"-20" - Right	1111287	1111291	N/A
T93AA, T93AC	16"-20" - Left	1111288	1111292	N/A
T934A, T943C, TLXH3A, TLXH3C	16"-20" - Right	1017243-NLA See Note(s) A	1017224-NLA	1031926-NLA
T934A, T943C, TLXH3A, TLXH3C	16"-20" - Left	1017244-NLA See Note(s) A	1017225-NLA	1031927-NLA

NOTE: A - Chairs manufactured before 2/96 used a ball burnish finish. Chairs manufactured after 1/96 use a black finish. Due to style change, it is recommended the footplates be ordered in pairs if only (1) ball burnish finish footplate is replaced.
B - For use on fixed front frame chairs.

NOTE: Orders for Front Riggings in pairs must be placed through the Configurator. Please contact an Invacare Service Parts Specialist at 1-800-333-6900.