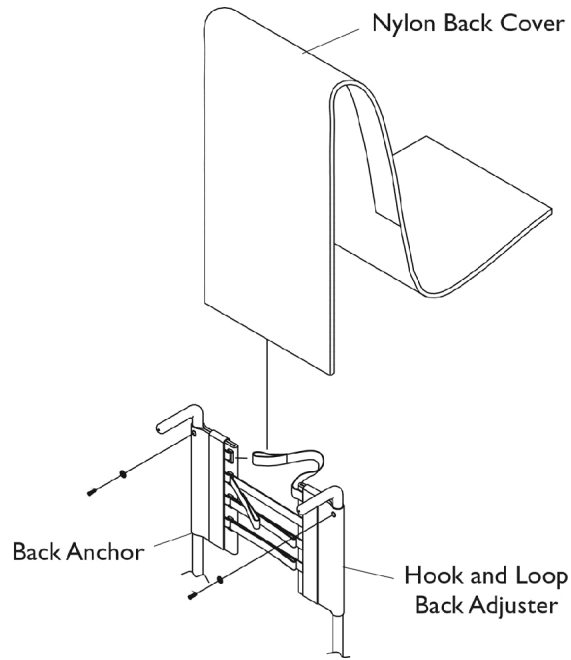


Adjustable Tension Back Upholstery

Back Assembly numbers are not available. Back components must be ordered individually.



Back Hardware

Item Number	Note	Part Number	Description	Quantity Per	
				Package	Assembly
	A	1026298	Package, Screw with Washer (#10 x 7/8") (Pair)	2	1
	A,B	1039470-NLA	NLA - Instruction Sheet, Adjustable Tension Back Upholstery	1	1
	A	See Chart	Back Upholstery - Adjustable Tension	1	1

NOTE: A - Not Shown
 B - Item is no longer available from the Invacare Service Parts Department. Refer to the Invacare Website under "Product Literature Search". Enter the part number in the "Keywords" field and download a free PDF version copy.

Adjustable Tension Back Upholstery

Back Assembly numbers are not available. Back components must be ordered individually.

Back Upholstery - Adjustable Tension

Back Height	Seat Width	Back Anchor	Hook & Loop Adjuster	Back Cover
8-11"	12"	1046405-NLA	1046401-NLA	1046242-NLA
8-11"	13"	1046405-NLA	1046401-NLA	1046243
8-11"	14"	1046405-NLA	1046402-NLA	1046244
8-11"	15"	1046405-NLA	1046402-NLA	1046245
8-11"	16"	1046405-NLA	1046402-NLA	1046246
8-11"	17"	1046405-NLA	1046403-NLA	1046247
8-11"	18"	1046405-NLA	1046403-NLA	1046248-NLA
8-11"	19"	1046405-NLA	1046404-NLA	1046249
8-11"	20"	1046405-NLA	1046404-NLA	1046250-NLA
8-11"	21"	1046405-NLA	1114063-NLA	1114102-NLA
8-11"	22"	1046405-NLA	1114063-NLA	1114106-NLA
10-14"	12"	1046287-NLA	1046283-NLA	1050685-NLA
10-14"	13"	1046287-NLA	1046283-NLA	1050688
10-14"	14"	1046287-NLA	1046284-NLA	1037929
10-14"	15"	1046287-NLA	1046284-NLA	1037930
10-14"	16"	1046287-NLA	1046284-NLA	1037931
10-14"	17"	1046287-NLA	1046285-NLA	1037932
10-14"	18"	1046287-NLA	1046285-NLA	1037933
10-14"	19"	1046287-NLA	1046286-NLA	1037934
10-14"	20"	1046287-NLA	1046286-NLA	1037935
10-14"	21"	1046287-NLA	1114064-NLA	1114103-NLA
10-14"	22"	1046287-NLA	1114064-NLA	1108323-NLA
12-16"	12"	1037927	1052739-NLA	1050686-NLA
12-16"	13"	1037927	1052739-NLA	1050689
12-16"	14"	1037927	1037936-NLA	1037918
12-16"	15"	1037927	1037936-NLA	1037919
12-16"	16"	1037927	1037936-NLA	1037920
12-16"	17"	1037927	1037928	1037921
12-16"	18"	1037927	1037928	1037922
12-16"	19"	1037927	1037937	1037923
12-16"	20"	1037927	1037937	1037924
12-16"	21"	1037927	1108327-NLA	1114104-NLA
12-16"	22"	1037927	1108327-NLA	1108324-NLA
14-18"	12"	1037916	1052740-NLA	1050687-NLA
14-18"	13"	1037916	1052740-NLA	1050690
14-18"	14"	1037916	1037925	1037722
14-18"	15"	1037916	1037925	1037723
14-18"	16"	1037916	1037925	1037724
14-18"	17"	1037916	1037917	1037725
14-18"	18"	1037916	1037917	1037726
14-18"	19"	1037916	1037926	1037727
14-18"	20"	1037916	1037926	1037728
14-18"	21"	1037916	1108328-NLA	1114105-NLA

Adjustable Tension Back Upholstery

Back Assembly numbers are not available. Back components must be ordered individually.

Back Upholstery - Adjustable Tension

Back Height	Seat Width	Back Anchor	Hook & Loop Adjuster	Back Cover
14-18"	22"	1037916	1108328-NLA	1108325
16-20"	12"	1037720-NLA	1052741-NLA	1050687-NLA
16-20"	13"	1037720-NLA	1052741-NLA	1050690
16-20"	14"	1037720-NLA	1037736	1046735-NLA
16-20"	15"	1037720-NLA	1037736	1046736
16-20"	16"	1037720-NLA	1037736	1046737
16-20"	17"	1037720-NLA	1037721	1046738
16-20"	18"	1037720-NLA	1037721	1046739
16-20"	19"	1037720-NLA	1037737	1046740
16-20"	20"	1037720-NLA	1037737	1046741
16-20"	21"	1037720-NLA	1108329-NLA	1116368-NLA
16-20"	22"	1037720-NLA	1108329-NLA	1108326-NLA