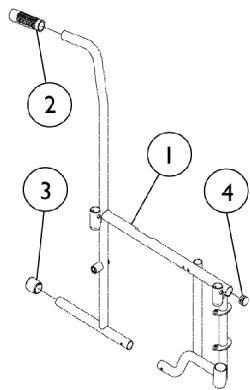


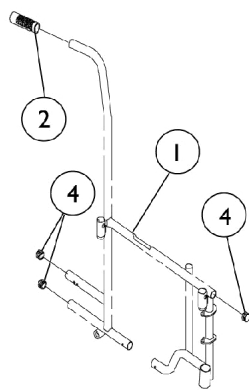
Side Frames and Hardware

Removable Arm Chairs

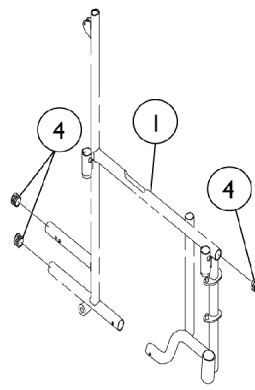
NOTE: Due to the possibility of various manufacturing dates for Tracer IV Wheelchairs built with a serial # starting with "03H" or "03I", replacement parts will need to be ordered thru an Invacare Parts Specialist at 1-800-333-6900.



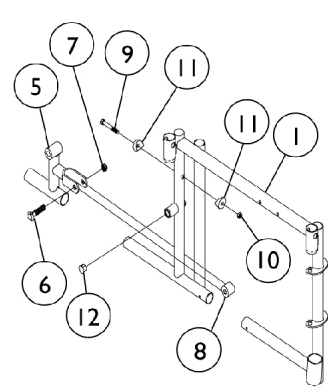
**All Models
(except Transport
and Recliner)**



**Fixed Back
Transport Models**



**Fold Down
Transport Models**



Recliner Models

Side Frames and Hardware Removable Arm Chairs

NOTE: Due to the possibility of various manufacturing dates for Tracer IV Wheelchairs built with a serial # starting with "03H" or "03I", replacement parts will need to be ordered thru an Invacare Parts Specialist at 1-800-333-6900.

Item Number	Note	Part Number	Description	Quantity Per	
				Package	Assembly
1		See Chart	Frames and Frame Hardware	1	1
2		1021261	Grip, Hand (6")	1	1
3		1016346	Cap, End, Tube, Black (7/8")	1	1
4		1027095	Plug Button, Black (7/8")	1	3
5		1062103-NLA	NLA - Bracket, Offset - Right	1	1
5		1062104-NLA	NLA - Bracket, Offset - Left	1	1
6		11232X009	Bolt, Lug (5/16-24 x 1-3/8")	1	1
7		1107321	Nut, Low Cap (5/16"-24)	1	1
8		47324X011	Bushing, Pivot (5/16 x 7/8 x 3/4")	1	1
9		16720X004	Screw, Hex Head (1/4-20 x 1-1/2")	1	1
10		1008882	Locknut (1/4-20)	1	1
11		1026099	Spacer, Coved (1/4 x 11/16 x 1/2")	1	2
12		1025340-NLA	NLA - Plug Button, Double D, Black	1	1
	A	See Chart	Rear Wheel Hardware	1	1

NOTE: A - Not Shown.

Frames

Chair Model	Adult Frames - Right	Adult Frames - Left	Hemi Frames - Right	Hemi Frames - Left
Tracer	1092384-NLA See Note(s) A	1092385-NLA See Note(s) A	N/A	N/A
Tracer Plus	1092384-NLA See Note(s) A	1092385-NLA See Note(s) A	N/A	N/A
Tracer LX	1092384-NLA See Note(s) A	1092385-NLA See Note(s) A	1092390-NLA See Note(s) A	1092391-NLA See Note(s) A
Tracer LT	1092384-NLA See Note(s) A	1092385-NLA See Note(s) A	N/A	N/A
Tracer IV (Before 9/9/01)	1054945-NLA	1054946-NLA	N/A	N/A
Tracer IV (Between 9/10/01 and 9/30/03)	1106762-NLA	1106763-NLA	N/A	N/A
Tracer Transport Fixed Back	1091009-NLA	1091010-NLA	N/A	N/A
Tracer Transport Fold Down Back	1061802-NLA	1061803-NLA	N/A	N/A
Tracer Recliner	1052290-NLA	1052291-NLA	N/A	N/A

NOTE: A - Due to a design change, when ordering this frame, a rear wheel hardware kit must also be ordered. See chart titled, Rear Wheel Hardware.

Rear Wheel Hardware

Side Frames and Hardware

Removable Arm Chairs

NOTE: Due to the possibility of various manufacturing dates for Tracer IV Wheelchairs built with a serial # starting with "03H" or "03I", replacement parts will need to be ordered thru an Invacare Parts Specialist at 1-800-333-6900.

Rear Wheel Hardware

Part Number	Description
1034109	NLA - Kit, Rear Wheel Hardware, Conventional