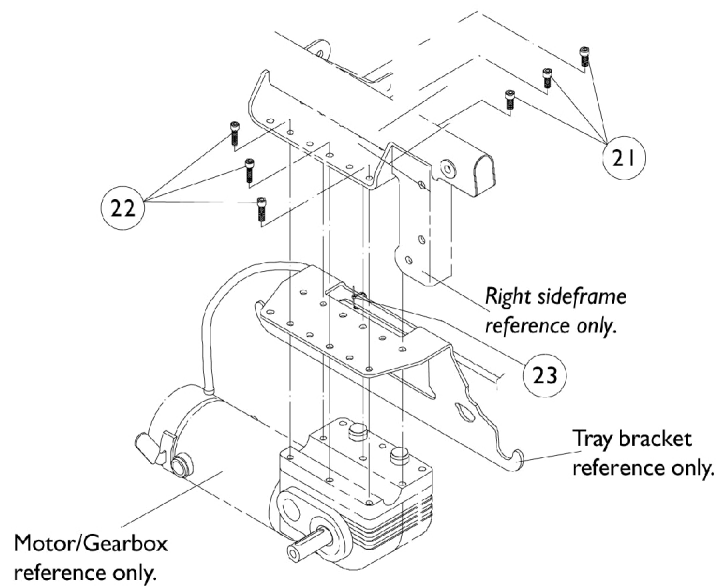
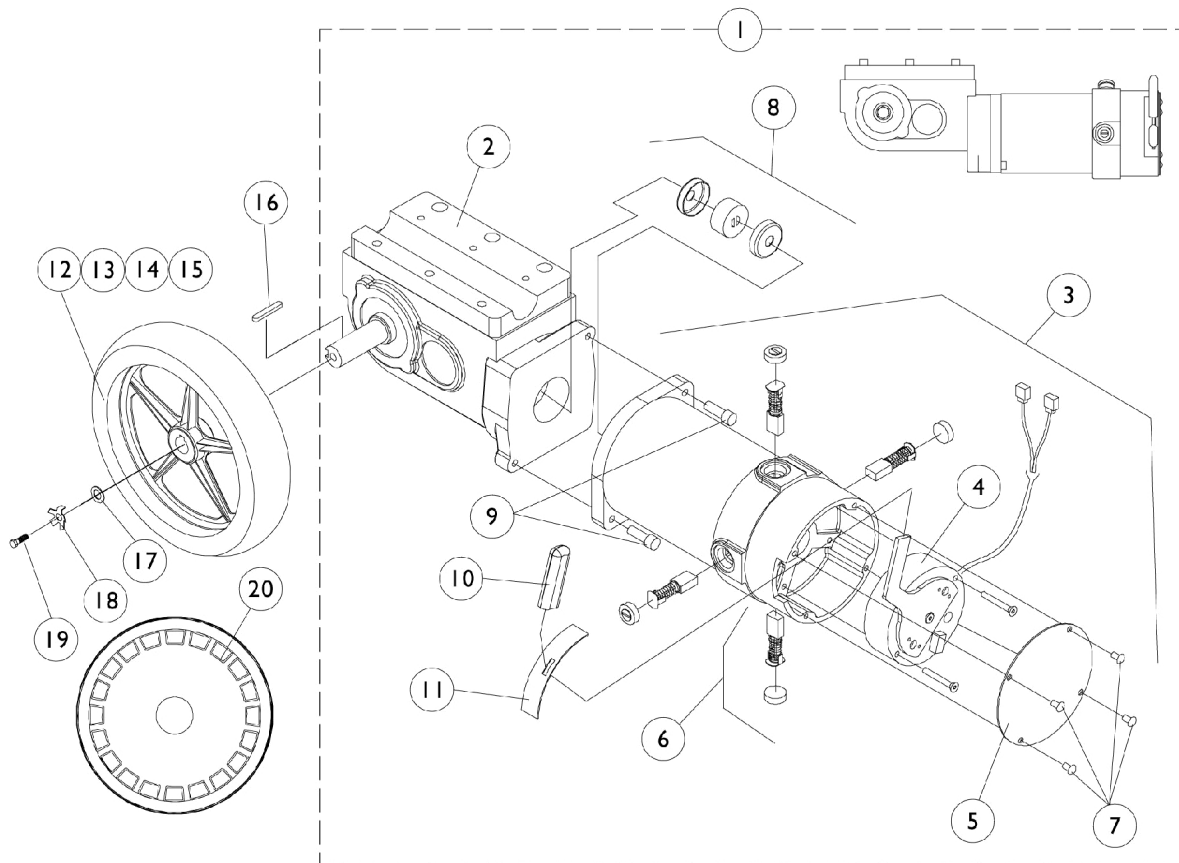


Motor, 4-Pole, Gearboxes and 12" Drive Wheel



Motor, 4-Pole, Gearboxes and 12" Drive Wheel

Item Number	Description	Ranger II M.W.D. and W.S.T. w/ Brake Lever (After 3/14/99)
1	Motor/ Gearbox (Before 10/29/01) - Right	1085950-NLA See Note(s) G
1	Motor/ Gearbox (Before 10/29/01) - Left	1085949-NLA See Note(s) G
1	Motor/ Gearbox (Before 10/29/01) - Right (Refurbished)	1085950E-NLA See Note(s) J
1	Motor/ Gearbox (Before 10/29/01) - Left (Refurbished)	1085949E-NLA See Note(s) I
1	Motor/ Gearbox (After 10/28/01) - Right	1109168-NLA
1	Motor/ Gearbox (After 10/28/01) - Left	1109167-NLA
2	Gearbox, Right	1086222-NLA See Note(s) F
2	Gearbox, Left	1086221 See Note(s) F
3	Motor Assembly (Before 10/29/01) - Right	1086788-NLA
3	Motor Assembly (Before 10/29/01) - Left	1087218-NLA
3	Motor Assembly (After 10/28/01) - Right	1109229-NLA
3	Motor Assembly (After 10/28/01) - Left	1109228-NLA
4	Brake Repair Kit, Right	1070295-NLA See Note(s) H
4	Brake Repair Kit, Left	1070294-NLA See Note(s) H
5	Brake Cover with Screws (Before 10/29/01)	1070297-NLA
5	Brake Cover with Screws (After 10/28/01)	1104402-NLA
6	Brushes with Caps (Set of 4)	1070296-NLA
7	Screw, Socket Pan Head (8-32 x 1/4")	See Item 5
8	NLA - Coupling w/ Cup (1" Diameter)	5165204-NLA See Note(s) D
8	NLA - Coupling w/ Cup (1-5/16" Diameter)	50000X007-NLA See Note(s) E
9	Screw, SHC (1/4-20 x 1-1/8")	1043594 See Note(s) F
9.	Screw, SHC (M6 x 1 x 20MM)	1108978 See Note(s) F
10	Plastic Tip (Before 10/29/01)	1082984-NLA

Motor, 4-Pole, Gearboxes and 12" Drive Wheel

Item Number	Description	Ranger II M.W.D. and W.S.T. w/ Brake Lever (After 3/14/99)
10	Plastic Tip (After 10/28/01)	1101725
11	Slotted Plate	1082985-NLA
12	Drive Wheel with Foam Fill (12-1/2")	1064177 See Note(s) A
12	Drive Wheel, Pneumatic (12-1/2")	1064178-NLA See Note(s) A
13	Tire (12-1/2" x 2-1/4")	1011524
14	Flat Free Insert	1073936-NLA See Note(s) B
15	Tube (12-1/2" x 2-1/4")	1011525
16	Key	1023264
17	Washer (11/32 x 13/16 x 1/8")	1079247
18	Washer, Locking Tab (Pair)	1064179
19	Screw, Hex Head (M8 x 1-1/4 x 20MM) (Pkg. of 25)	7930322-NLA
20	Shroud Cover Black, Drive Wheel	1074974-NLA
21	Screw, Socket Head (M6 x 20MM)	1071505
22	Screw, Socket Head (M6 x 35MM)	1071504-NLA See Note(s) C
23	Cable Tie (5-5/8" Long)	1021260

NOTE: A - Drive wheel comes with a locking tab and instruction sheet.
 B - As of 10/20/99, the "solid" flat free insert was replaced by a "foam fill" process. When a Flat Free Insert is requested, a complete wheel must be ordered.
 C - Weight Shifting Tilt takes only 2 per side for item 22.
 D - Coupling with Cup for chairs manufactured before 11/12/01 - Use part # 50000X007 as a direct replacement part.
 E - After 11/11/01 Coupling with Cup was resized from approximately 1" to 1-5/16" diameter and can be used as a direct replacement for part number 5165204
 F - When a new gearbox or mounting screws are ordered, (2 ea.) metric and (2 ea.) non-metric screws (item 9) must be ordered. Invacare Corp. utilizes alternate suppliers for this part number.
 G - As of May 2008, the Metal Motor End Cap will be replaced with a Composite Motor End Cap. The change does not affect form, fit, function or aesthetics.
 H - Use existing screws when installing the Brake Repair Kit. The Motor Brake Mounting Screws are not saleable.
 I - Part is no longer available as a service part. See part number 1085949 as a replacement.
 J - Part is no longer available as a service part. See part number 1085950 as a replacement.

NOTE: See page for 2-Pole Motors with brake levers for chairs made before 3/15/99.

NOTE: MWD-R motor/gearbox is also used as a RWD-L motor/gearbox and MWD-L motor/gearbox is used as a RWD-R. The part numbers are already switched around respectively for this MWD page.