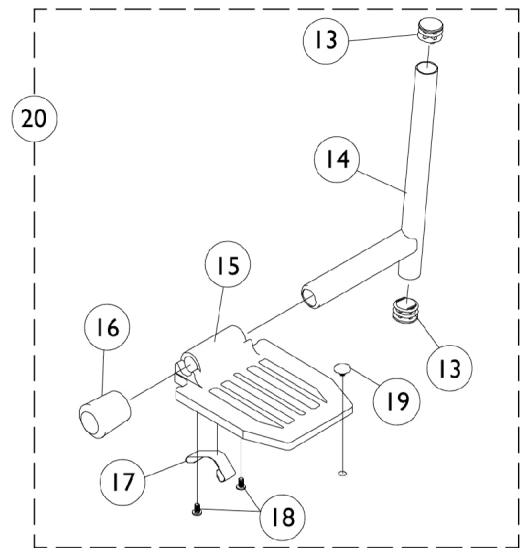
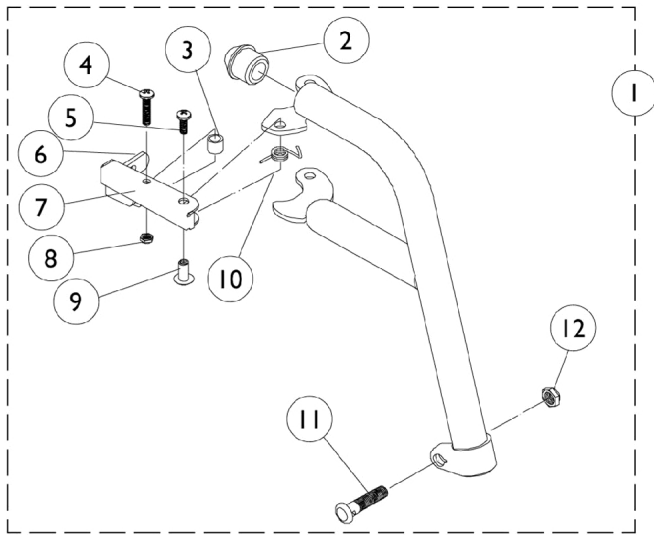


P93 Footrest and Hardware



P93 Footrest and Hardware

Item Number	Note	Part Number	Description	Quantity Per	
				Package	Assembly
1	A	8881035779	Footrest Support Assembly, Adult, Color - Right	1	1
1	A	8881035780	Footrest Support Assembly, Adult, Color - Left	1	1
2		1020719	Anti-Rattle, Black	1	1
3		47565X057	Bushing (7/32 x 3/8 x 11/32")	1	1
4		7930328-NLA	NLA - Package, Screw, Phillips Pan Head (#10-32 x 11/16")	25	1
5		7930335-NLA	NLA - Package, Screw, Phillips Pan Head (#10-32 x 1/2")	25	1
6		1006490	Tip, Plastic, Black	1	1
7		1035539	Handle, Release, Black - Right	1	1
7		1035540	Handle, Release, Black - Left	1	1
8		7930322-NLA	NLA - Package, Screw, Hex Head (M8 x 1.25 x 20mm)	25	1
9		1028846-NLA	NLA - Rivnut (#10-32)	1	1
10		1028707	Spring, Release - Right	1	1
10		1028708	Spring, Release - Left	1	1
11		1026030	Bolt, Lug (5/16-24 x 1-3/8")	1	1
12		1107321	Nut, Low Cap (5/16"-24)	1	1
13		1027097	Plug Button, Black (3/4")	1	1
14		1041527	Pivot/Slide Tube w/ Plug Button, Black	1	1
14		1086474-NLA	NLA - Pivot Slide Tube w/ Plug Buttons, Chrome (2" Longer)	1	1
14		1086475-NLA	NLA - Pivot/Slide Tube w/ Plug Buttons, Chrome (4" Longer)	1	1
15		44200X027	Footplate, Aluminum, Medium, Black (7-3/4" W x 6" L)	1	1
16		1016346	Cap, End, Tube, Black (7/8")	1	1
17		1006981	Spring, Tension	1	2
18		7930354-NLA	NLA - Package, Phillips Head Screw (#8-32 x 3/8")	25	1
19		1070168	Plug, Push, Footplate	1	1
20		See Chart	#20 Pivot/Slide Tube and Footplate	1	1

NOTE: A - Specify frame color from Frame Finishes, Touch-Up Paints and Upholstery Color Page

#20 Pivot/Slide Tube and Footplate

Side	Standard	2" Longer	4" Longer
Right	1057969-NLA	1086503-NLA	1086504-NLA
Left	1057970-NLA	1086505-NLA	1086506-NLA