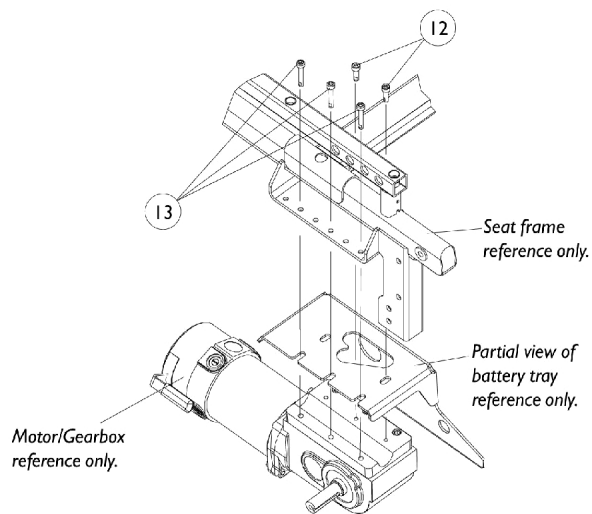
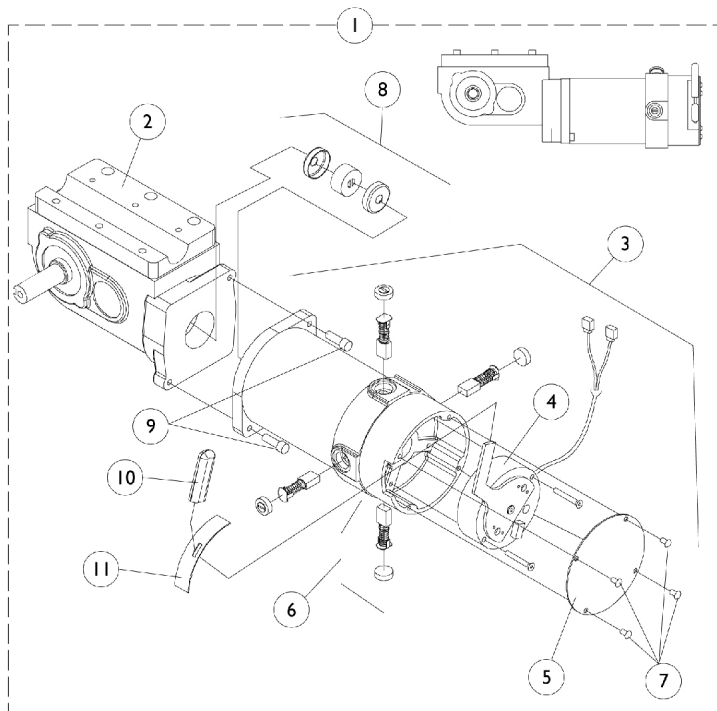


4-Pole Motor and Gearbox

NOTE: MWD-R motor/gearbox is also used as a RWD-L motor/gearbox and MWD-L motor/gearbox is used as a RWD-R. The part numbers are already switched around respectively for this MWD page.



4-Pole Motor and Gearbox

NOTE: MWD-R motor/gearbox is also used as a RWD-L motor/gearbox and MWD-L motor/gearbox is used as a RWD-R. The part numbers are already switched around respectively for this MWD page.

Part Number	Part Description	W.S.T. 250 lb. Limit, 300lb. Limit or Power Tilt Only	400 lb. Limit
1.	Motor/Gearbox - Right Before 10/29/01	1085950-NLA See Note(s) D	1086218-NLA See Note(s) D
1.	Motor/Gearbox - Left Before 10/29/01	1085949-NLA See Note(s) D	1086217-NLA See Note(s) D
1.	WARR RPLMT - Motor/Gearbox - Right Before 10/29/01	1085950E-NLA See Note(s) H	N/A
1.	WARR RPLMT - Motor/Gearbox - Left Before 10/29/01	1085949E-NLA See Note(s) G	N/A
1.	Motor/Gearbox - Right After 10/28/01	1109168-NLA	1109170-NLA
1.	Motor/Gearbox - Left After 10/28/01	1109167-NLA	1109169-NLA
2.	Gearbox - Right	1086222-NLA See Note(s) C	1086228-NLA See Note(s) C
2.	Gearbox - Left	1086221 See Note(s) C	1086227-NLA See Note(s) C
3.	Motor Assembly - Right Before 10/29/01	1086788-NLA	1086788-NLA
3.	Motor Assembly - Left Before 10/29/01	1087218-NLA	1087218-NLA
3.	Motor Assembly - Right After 10/28/01	1109229-NLA	1109229-NLA
3.	Motor Assembly - Left After 10/28/01	1109228-NLA	1109228-NLA
4.	Brake Repair Kit Right	1070295-NLA See Note(s) F	1070295-NLA See Note(s) F
4.	Brake Repair Kit Left	1070294-NLA See Note(s) F	1070294-NLA See Note(s) F
5.	Brake Cover w/ Screws Before 10/29/01	1070297-NLA	1070297-NLA
5.	Brake Cover w/ Screws After 10/28/01 (Black)	1104402-NLA	1104402-NLA
6.	Brushes w/ Caps	1070296-NLA See Note(s) E	1070296-NLA See Note(s) E
7.	Screw, Socket Pan Head (8-32 x 1/4")	See Item 5	See Item 5
8.	NLA - Coupling w/ Cup (1" Diameter)	5165204-NLA See Note(s) A	5165204-NLA See Note(s) A
8.	NLA - Coupling w/ Cup (1-5/16" Diameter)	50000X007-NLA See Note(s) B	50000X007-NLA See Note(s) B
9.	Screw, SHC (1/4-20 x 1-1/8")	1043594 See Note(s) C	1043594 See Note(s) C
9.	Screw, SHC (M6 x 1 x 20MM)	1108978 See Note(s) C	1108978 See Note(s) C

4-Pole Motor and Gearbox

NOTE: MWD-R motor/gearbox is also used as a RWD-L motor/gearbox and MWD-L motor/gearbox is used as a RWD-R. The part numbers are already switched around respectively for this MWD page.

Part Number	Part Description	W.S.T. 250 lb. Limit, 300lb. Limit or Power Tilt Only	400 lb. Limit
10.	Plastic Tip Before 10/29/01	1082984-NLA	1082984-NLA
10.	Plastic Tip After 10/28/01	1101725	1101725
11.	Slotted Plate	1082985-NLA	1082985-NLA
12.	Screw, Socket Head Cap w/ Patch (M6 x 20MM)	1071505	1071505
13.	Screw, Socket Head Cap w/ Patch (M6 x 35MM)	1071504-NLA	1071504-NLA
<p>NOTE: A - Coupling with Cup for chairs manufactured before 11/12/01 - Use part # 50000X007 as a direct replacement part. B - After 11/11/01 Coupling with Cup was resized from approximately 1" to 1-5/16" diameter and can be used as a direct replacement for part number 5165204 C - When a new gearbox or mounting screws are ordered, (2 ea.) metric and (2 ea.) non-metric screws (item 9) must be ordered. Invacare Corp. utilizes alternate suppliers for this part number. D - As of May 2008, the Metal Motor End Cap will be replaced with a Composite Motor End Cap. The change does not affect form, fit, function or aesthetics. E - Kit includes (4) Brushes, (4) Brush Caps and Instruction Sheet. F - Use existing screws when installing the Brake Repair Kit. The Motor Brake Mounting Screws are not saleable. G - Part number is no longer available as a service part. See part number 1085949 as a replacement. H - Part number is no longer available as a service part. See part number 1085950 as a replacement.</p>			