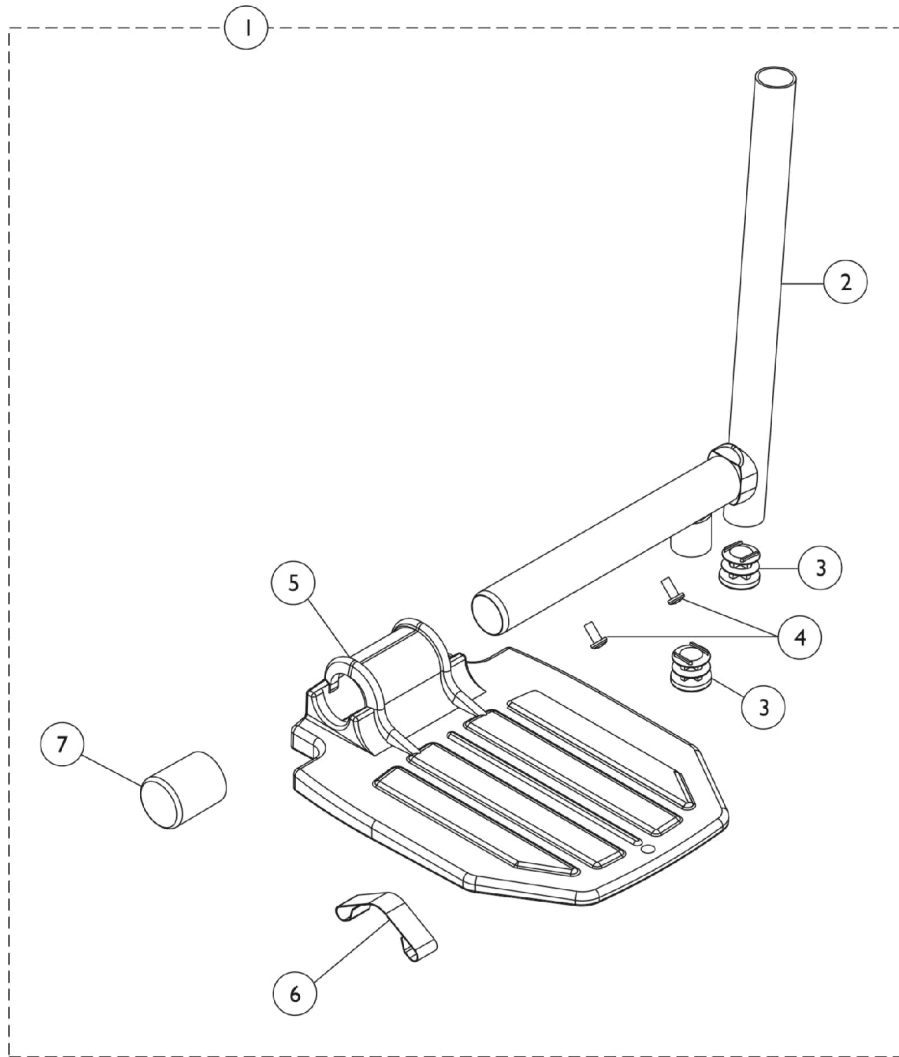


Pivot Slide Tube with Footplate

SH904MS, SH904M, H904, T944A/C, TH94A/S Legrest



Pivot Slide Tube with Footplate

SH904MS, SH904M, H904, T944A/C, TH94A/S Legrest

Pivot Slide Tube with Footplate

Item Number	Note	Part Number	Description	Quantity Per	
				Package	Assembly
1	A	See Chart	Pivot Slide Tube with Footplate	1	1
2		7500085-NLA	NLA - Pivot/Slide Tube w/ Plug Button Assembly, Chrome	1	1
2		1100568-NLA	NLA - Pivot/Slide Tube w/ Plug Button, Black	1	1
2		1086447-NLA	NLA - Pivot/Slide Tube w/ Plug Button, Chrome (2" Longer)	1	1
2		1086448-NLA	NLA - Pivot/Slide Tube w/ Plug Button, Black (4" Longer)	1	1
5		44200X059	Footplate, Aluminum, Small, Black (6-3/4" W x 6" L)	1	1
3		1027097	Plug Button, Black (3/4")	1	2
4		7930354-NLA	NLA - Package, Phillips Head Screw (#8-32 x 3/8")	25	2
5		1015178	Footplate, Composite, Black (6" W x 7-53/64" L)	1	1
5		44200X027	Footplate, Aluminum, Medium, Black (7-3/4" W x 6" L)	1	1
5		44200X025	Footplate, Aluminum, Extra Large, Black - Right (8" W x 8-1/2" L)	1	1
5		1002343	Footplate, Aluminum, Extra Large, Black - Right (7" W x 8-1/2" L)	1	1
5		1002344	Footplate, Aluminum, Extra Large, Black - Left (7" W x 8-1/2" L)	1	1
6		1006981	Spring, Tension	1	1
7	1016346	Cap, End, Tube, Black (7/8")	1	1	
NOTE: A - Includes items 2-7.					
NOTE: Pivot Slide Tube and Footplate is attached to Legrest Support using a compression clamp welded to the Support Assembly.					

Pivot Slide Tube with Footplate

SH904MS, SH904M, H904, T944A/C, TH94A/S Legrest

Pivot Slide Tube with Footplate

Prior Model Number	Current Model Number	Chair Width	Frame Side	Standard	2" Longer	4" Longer
SH904MS	SH904MS, TH94S Chrome	14 - 15"	Right	1020234-NLA	N/A	N/A
SH904MS	SH904MS, TH94S Chrome	14 - 15"	Left	1020235-NLA	N/A	N/A
SH904M	SH904M	16 - 18"	Right	1017237-NLA	1086525-NLA	1086526-NLA
SH904M	SH904M	16 - 18"	Left	1017238-NLA	1086527-NLA	1086528-NLA
H904	T944S	14 - 15"	Right	1020234-NLA	N/A	N/A
H904	T944S	14 - 15"	Left	1020235-NLA	N/A	N/A
N/A	T944A, TH94A	16 - 22"	Right	1017237-NLA	1086525-NLA	1086526-NLA
N/A	T944A, TH94A	16 - 22"	Left	1017238-NLA	1086527-NLA	1086528-NLA
N/A	TH94A - Black	16 - 22"	Right	1124235	N/A	N/A
N/A	TH94A - Black	16 - 22"	Left	1124236	N/A	N/A
N/A	TH94S - Black	14 - 15"	Right	1124237	N/A	N/A
N/A	TH94S - Black	14 - 15"	Left	1124238	N/A	N/A
H904	T944C, TH94C - Chrome	16 - 22"	Right	1017233-NLA	1086533-NLA	1086535-NLA
H904	T944C, TH94C - Chrome	16 - 22"	Left	1017234-NLA	1086534-NLA	1086536-NLA
N/A	TH94A - Black	16 - 22"	Right	1124239	N/A	N/A
N/A	TH94A - Black	16 - 22"	Left	1124240	N/A	N/A
N/A	SH904MS, H904, T944A/C	14 - 15"	Right	1031932-NLA	N/A	N/A
N/A	SH904MS, H904, T944A/C	14 - 15"	Left	1031933-NLA	N/A	N/A
N/A See Note(s) A	SH904M, H904, T944A/C, TH94A	16 - 22"	Right	1031934-NLA	1086537-NLA	1086539-NLA See Note(s) A
N/A	SH904M, H904, T944A/C, TH94A	16 - 22"	Left	1031935-NLA	1086538-NLA See Note(s) A	1086540-NLA See Note(s) A

NOTE: A - Can only be used with Bolt Thru Footrest (T93HAB/HCB) and Elevating Legrest (T94HAB/HCB).