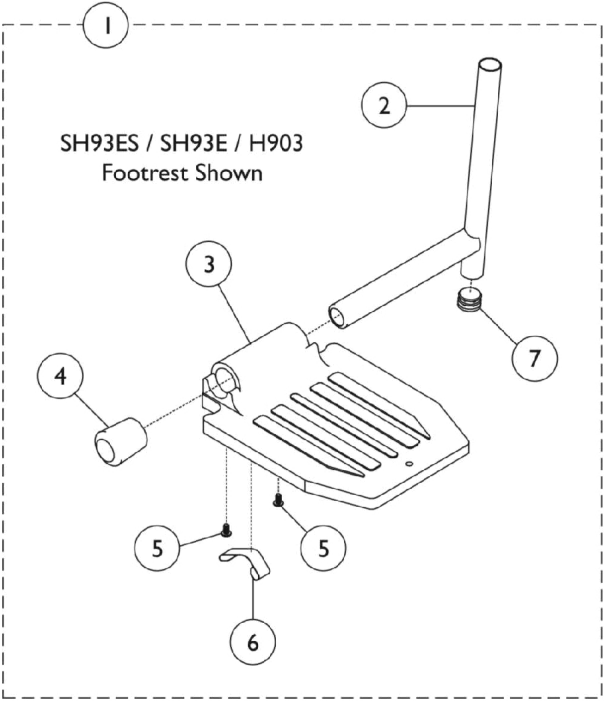
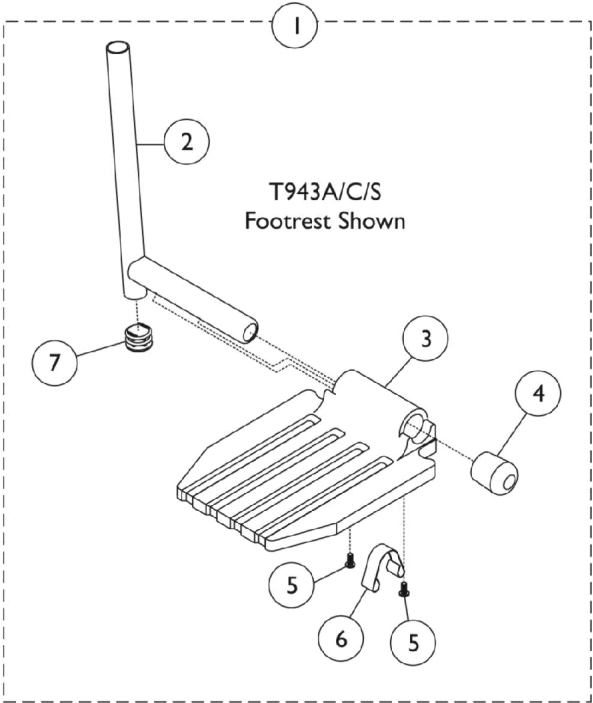


Pivot Slide Tube with Footplate

H903, T943A/C/S, T963A/C, SH93ES, SH93E, TH93A Footrest



Pivot Slide Tube with Footplate

H903, T943A/C/S, T963A/C, SH93ES, SH93E, TH93A Footrest

Pivot Slide Tube with Footplate

Item Number	Note	Part Number	Description	Quantity Per	
				Package	Assembly
1	A	See Chart	Pivot Slide Tube and Footplate	1	1
2		1041527	Pivot/Slide Tube w/ Plug Button, Black	1	1
2		1041528-NLA	NLA - Pivot/Slide Tube w/ Plug Button, Chrome	1	1
2		1086474-NLA	NLA - Pivot Slide Tube w/ Plug Buttons, Chrome (2" Longer)	1	1
2		1086475-NLA	NLA - Pivot/Slide Tube w/ Plug Buttons, Chrome (4" Longer)	1	1
2		1086479-NLA	NLA - Pivot/Slide Tube w/ Plug Button, Black (2" Longer)	1	1
2		1086480-NLA	NLA - Pivot/Slide Tube w/ Plug Button, Black (4" Longer)	1	1
3		1015178	Footplate, Composite, Black (6" W x 7-53/64" L)	1	1
3		44200X059	Footplate, Aluminum, Small, Black (6-3/4" W x 6" L)	1	1
3		44200X027	Footplate, Aluminum, Medium, Black (7-3/4" W x 6" L)	1	1
4		1016346	Cap, End, Tube, Black (7/8")	1	1
5		40120X001	Screw, Phillips Pan Head (#8-32 x 3/8")	1	1
6		1006981	Spring, Tension	1	1
7		1027097	Plug Button, Black (3/4")	1	1

NOTE: A - Includes items 2-7.

NOTE: Pivot Slide Tube and Footplate is attached to Footrest Support using a compression clamp welded to the Support Assembly.

Pivot Slide Tube and Footplate

Prior Model Number	Current Model Number	Chair Width	Frame Side	Standard	2" Longer	4" Longer
T963S, SH93ES, H903 - Chrome	T963A, T943S, SH93ES, TH93S - Chrome	14-22"	Right	1020232-NLA	N/A	N/A
T963S, SH93ES, H903 - Chrome	T963A, T943S, SH93ES, TH93S - Chrome	14-22"	Left	1020233-NLA	N/A	N/A
T963S, H903 SH93ES - Black	T963A, SH93ES T943S, TH93S - Black	14-22"	Right	1035200	N/A	N/A
T963S, H903 SH93ES - Black	T963A, SH93ES T943S, TH93S - Black	14-22"	Left	1035201	N/A	N/A
SH93E, T963A - Chrome	SH93E, T963A T943A, TH93A - Chrome	14-22"	Right	1017243-NLA	1086486-NLA	1086487-NLA

Pivot Slide Tube with Footplate
H903, T943A/C/S, T963A/C, SH93ES, SH93E, TH93A Footrest
Pivot Slide Tube and Footplate

Prior Model Number	Current Model Number	Chair Width	Frame Side	Standard	2" Longer	4" Longer
SH93E, T963A - Chrome	SH93E, T963A T943A, TH93A - Chrome	14-22"	Left	1017244-NLA	1086488-NLA	1086489-NLA
H903 - Chrome	T943C, TH93C T963C - Chrome	16-22"	Right	1017224-NLA	1086499-NLA	1086501-NLA
H903 - Chrome	T943C, TH93C T963C - Chrome	16-22"	Left	1017225-NLA	1086500-NLA	1086502-NLA
H903 - Black	T943C, TH93C T963C - Black	16-22"	Right	1033059	1086503-NLA	1086504-NLA
H903 - Black	T943C, TH93C T963C - Black	16-22"	Left	1033060	1086505-NLA	1086506-NLA
SH93E, T963A, SH93E - Black	SH93E, T963A, T943A, SH93E, TH93A - Black	14-22"	Right	1035202	1086490-NLA	1086491-NLA
SH93E, T963A, SH93E - Black	SH93E, T963A, T943A, SH93E, TH93A - Black	14-22"	Left	1035203	1086492-NLA	1086493-NLA