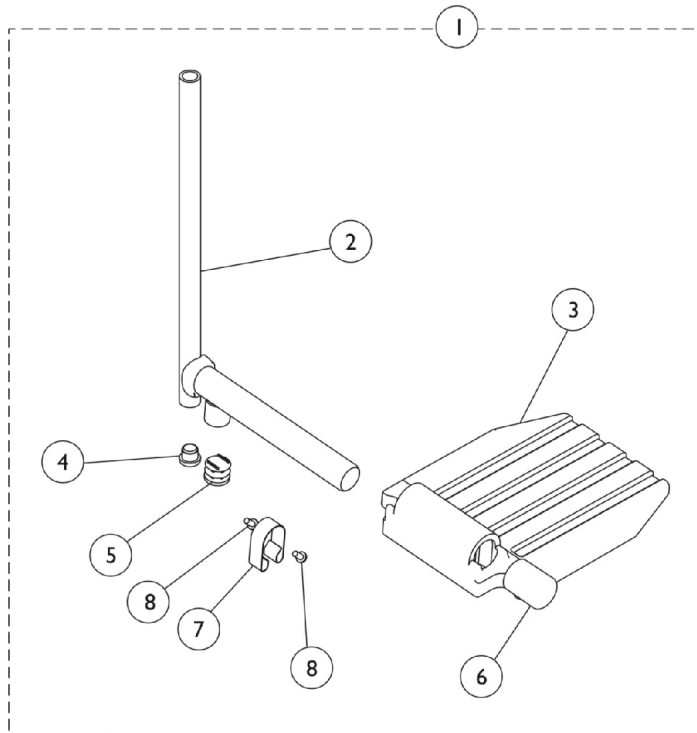
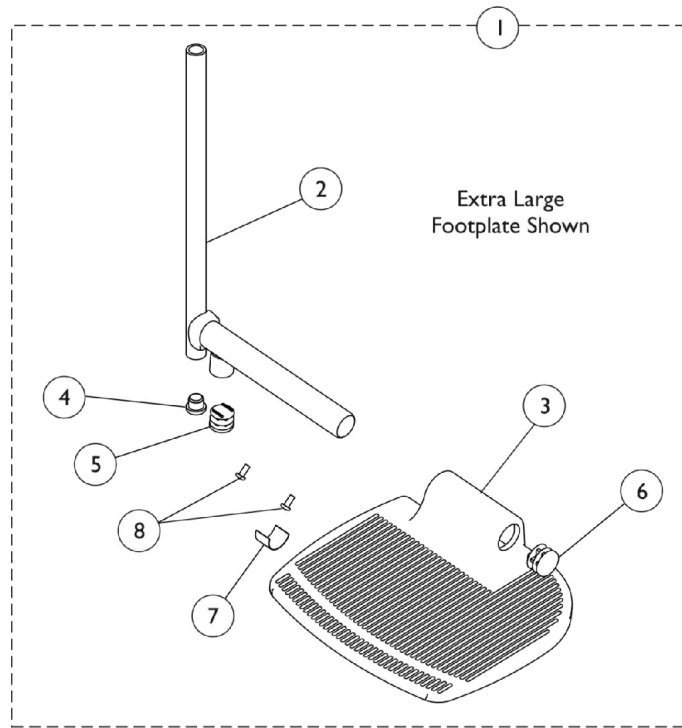


Pivot Slide Tube with Footplate

AHS4 / AHL4 Legrests



Pivot Slide Tube with Footplate AHS4 / AHL4 Legrests

Item Number	Note	Part Number	Description	Quantity Per	
				Package	Assembly
1	A	See Chart	Pivot Slide Tube with Footplate	1	1
2		1041526	Pivot/Slide Tube w/ Plug Button Assembly, Chrome	1	1
3		44200X059	Footplate, Aluminum, Small, Black (6-3/4" W x 6" L)	1	1
3		44200X027	Footplate, Aluminum, Medium, Black (7-3/4" W x 6" L)	1	1
3		1015178	Footplate, Composite, Black (6" W x 7-53/64" L)	1	1
3		44200X025	Footplate, Aluminum, Extra Large, Black - Right (8" W x 8-1/2" L)	1	1
3		44200X026	Footplate, Aluminum, Extra Large, Black - Left (8" W x 8-1/2" L)	1	1
4		1018133	Plug Button, Black (5/8")	1	1
5		1027097	Plug Button, Black (3/4")	1	1
6		1016346	Cap, End, Tube, Black (7/8")	1	1
6	B	1027095	Plug Button, Black (7/8")	1	1
7		1006981	Spring, Tension	1	1
8		40120X001	Screw, Phillips Pan Head (#8-32 x 3/8")	1	2

NOTE: A - Includes items 2-8.
B - For use on extra large footplates.

NOTE: Pivot Slide Tube and Footplate is attached to Legrest Support using a compression clamp welded to the Support Assembly.

Pivot Slide Tube with Footplate - Chrome

Model Number	Chair Width	Footplate Style	Frame Side	Part Number
AHS4	14-15"	Aluminium	Right	1023905-NLA
AHS4	14-15"	Aluminium	Left	1023906-NLA
AHL4	16-22"	Aluminium	Right	1023907
AHL4	16-22"	Aluminium	Left	1023908
AHL4	16-22"	Composite	Right	1023909-NLA
AHL4	16-22"	Composite	Left	1023910-NLA
AHS4	14-15"	Extra Large	Right	1035454-NLA
AHS4	14-15"	Extra Large	Left	1035455-NLA
AHL4	16-22"	Extra Large	Right	1035456
AHL4	16-22"	Extra Large	Left	1035457