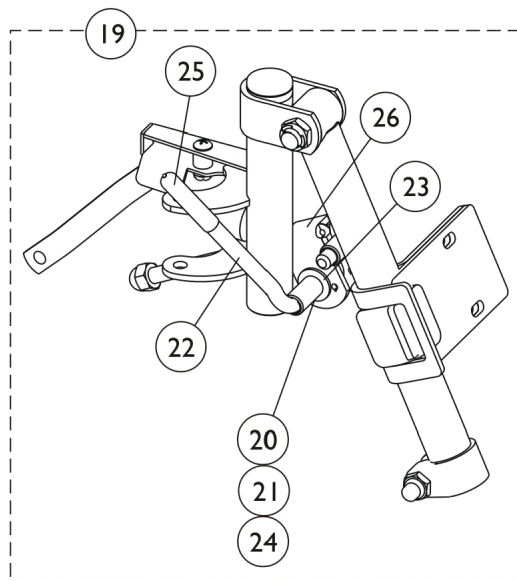
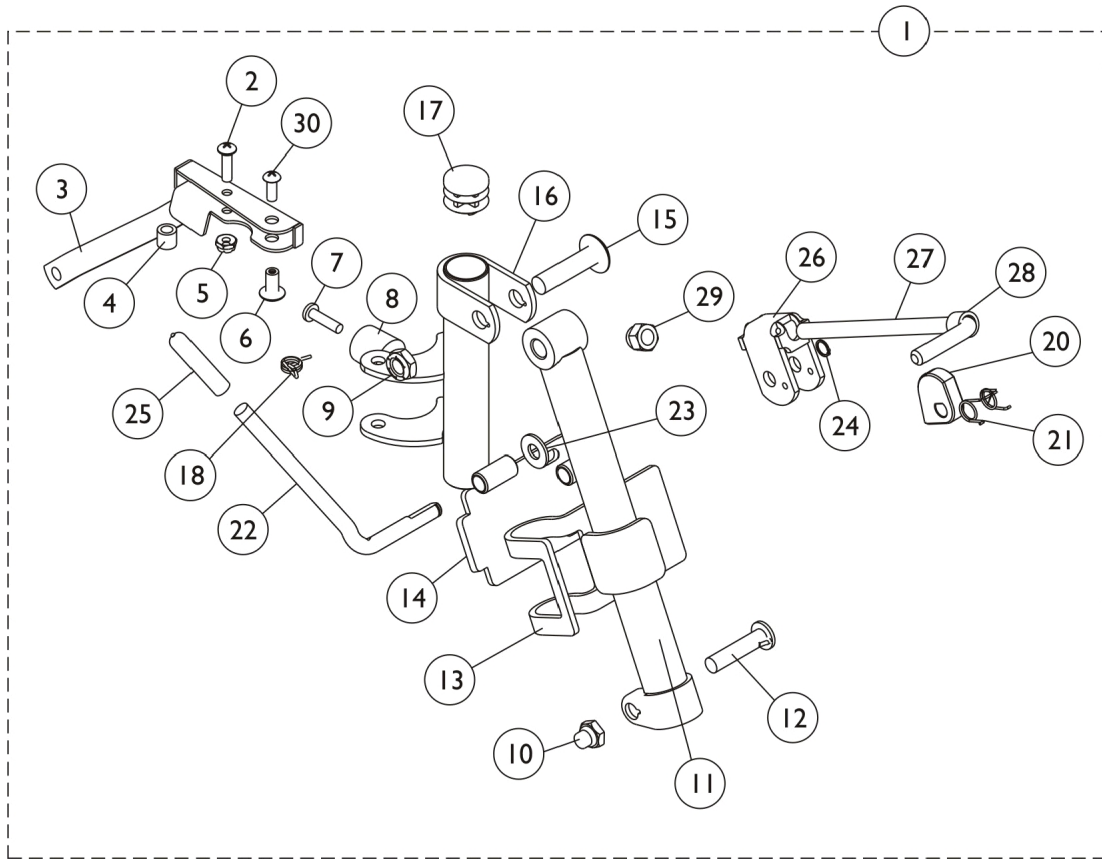


Legrest Support Assembly

SH904MS, SH904M



Legrest Support Assembly SH904MS, SH904M

Item Number	Note	Part Number	Description	Quantity Per	
				Package	Assembly
1	B	See Chart	Legrest Support Assembly - SH904MS, SH904M	1	1
2		40163X008	Screw, Phillips Pan Head (#10-32 x 11/16")	1	3
3	C	1124551	Handle, Release, Black - Right	1	1
3	C	1124552	Handle, Release, Black - Left	1	1
3	C	1124549-NLA	NLA - Handle, Release, Chrome - Right	1	1
3	C	1124550-NLA	NLA - Handle, Release, Chrome - Left	1	1
	D	1087698-NLA	NLA - Handle, Release, Chrome - Right	1	1
	D	1087699-NLA	NLA - Handle, Release, Chrome - Left	1	1
4		47565X057	Bushing (7/32 x 3/8 x 11/32")	1	1
5		60279X003	Locknut (#10-32)	1	1
6		67005X000	Rivnut (#10-32)	1	1
7		1030979	Screw, Phillips Pan Head Tap (#10-32 x 3/4")	1	1
8		1022874	Bumper	1	1
9		40363X000	Hex Nut (3/8"-16)	1	1
10		1107321	Nut, Low Cap (5/16"-24)	1	1
11		04526X002-NLA	NLA - Tube, Support, Legrest, Elevating, Chrome - Right	1	1
11		04526X003-NLA	NLA - Tube, Support, Legrest, Elevating, Chrome - Left	1	1
12		11232X009	Bolt, Lug (5/16-24 x 1-3/8")	1	1
13		47352X004	Clamp, Black	1	1
14		47352X003	Lock, Pad Plate, Legrest, Black	1	1
15		11919X000-NLA	NLA - Screw, Slotted Truss Head (3/8-16 x 1-1/2")	1	1
16		04707X067	Legrest Support Only, Black- Right	1	1
16		04707X068	Legrest Support Only, Black- Left	1	1
17		1027095	Plug Button, Black (7/8")	1	1
18		1008935	Spring, Release - Right	1	1
18		1008936	Spring, Release - Left	1	1
19	A	1046328-NLA	NLA - Kit, Ratchet	2	1
20		1037125	Cam, Legrest	1	1
21		1037485	Spring, Release	1	1
22		1037126	Handle, Release	1	1
23		1013519	Washer, Nylon (5/16 x 11/16 x 1/16")	1	1
24		1040831	Ring, Snap	1	1
25		1040060	Tip, Plastic, Black	1	1
26		04528X002	Bracket, Release, Black	1	1
27		42326X001	Bar, Ratchet	1	1
28		47330X003	Spacer (5/16 x 1/2 x 3/8")	1	1
29		10261X000	Nut, Acorn (5/16-24)	1	1
30		40163X002	Screw, Phillips Round Head (#10-32 x 1/2")	1	1

NOTE: A - Includes items 20 thru 30 and Instruction Sheet
 B - Includes items 1 thru 30.
 C - Due to design change, for all chairs built prior to 10/1/00 it is suggested that Release Handles be replaced in pairs.
 D - Not Shown. Order this item when ordering chair with Cyclical Drive only.

Legrest Support Assembly

SH904MS, SH904M

Legrest Support Assembly - SH904MS /SH904M

Prior Model Number	Current Model Number	Chair Width	Right Side	Left Side
SH904M, SH904MS	SH904M, SH904MS	14-15"	1124553 See Note(s) A	1124554 See Note(s) A

NOTE: A - Calf pad is sold separately and is not included in support assemblies after 7/97.