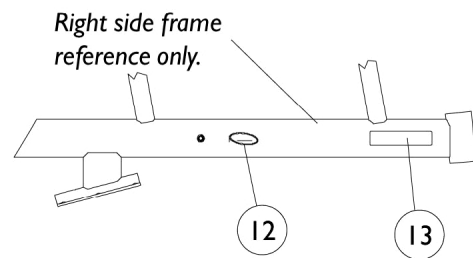
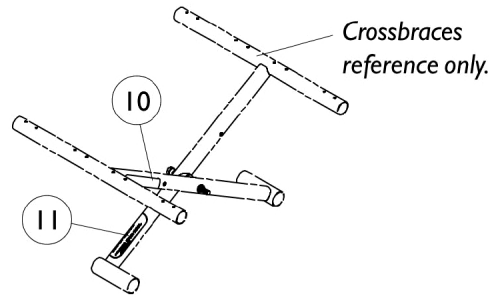
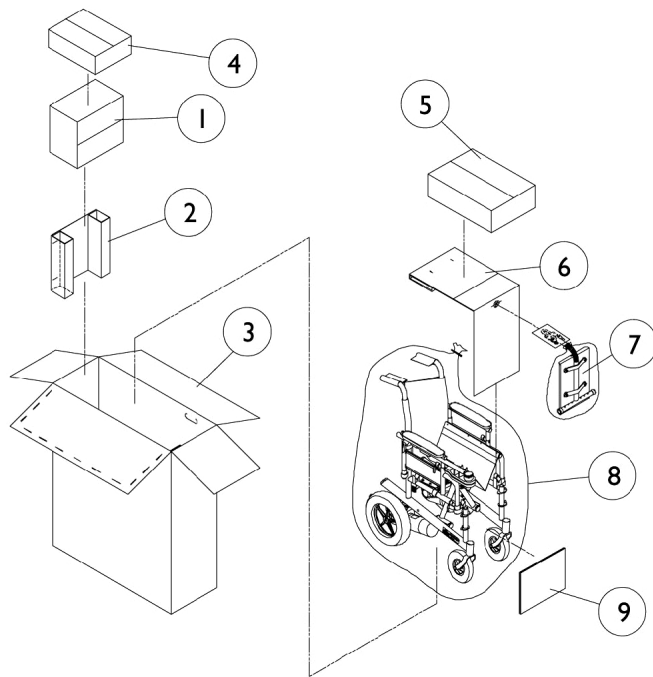


Packaging, Literature and Decals



Packaging, Literature and Decals

Item Number	Note	Part Number	Description	Quantity Per	
				Package	Assembly
1		1023167-NLA	NLA - Carton, Battery Boxes	1	1
2		1023166-NLA	NLA - Insert	1	1
3		1074355-NLA	NLA - Carton	1	1
4		40131X148-NLA	NLA - Carton, Hardware	1	1
5		40131X011-NLA	NLA - Carton, Front Riggings	1	1
6		1023165-NLA	NLA - Insert, Carton	1	1
7		1021866-NLA	NLA - Bag, Poly (26" L x 15" W)	1	1
8		1015592	Bag, Poly (72" L x 35" W x 19" D)	1	1
9		40131X039-NLA	NLA - Insert, Carton	1	1
10		1035900	Decal, Transportation	1	1
11		1119281-NLA	NLA - Plate, Name, Patent Numbers	1	1
12		1090146-NLA	NLA - Decal, Invacare 3-D Logo (1-19/32" L)	1	2
13	A,B	1095222-NLA	NLA - Decal, Model, Black - P9000	1	2
13	A	1095223-NLA	NLA - Decal, Model, White - P9000	1	2
	C	1065145-NLA	NLA - Decal, Virtual Service	1	2
	C	1056092-NLA	NLA - Instruction Manual, INT-P9	1	1
	C	1095272-NLA	NLA - Instruction Manual, MKIV RII	1	1
	C	1080737-NLA	NLA - Owner's Manual - P9000 and Excel	1	1
	C	1085397-NLA	NLA - Service Manual - Excel	1	1
<p>NOTE: A - Invacare logo added and model decals changed 1/11/2000. When replacing side frames before 1/11/2000 order decals in pairs to match. B - Used for chairs with frame colors 02P, 29P, 30P and 84P only. C - Not Shown</p> <p>NOTE: When adjusting or replacing parts, please refer to your Owner's Manual.</p>					