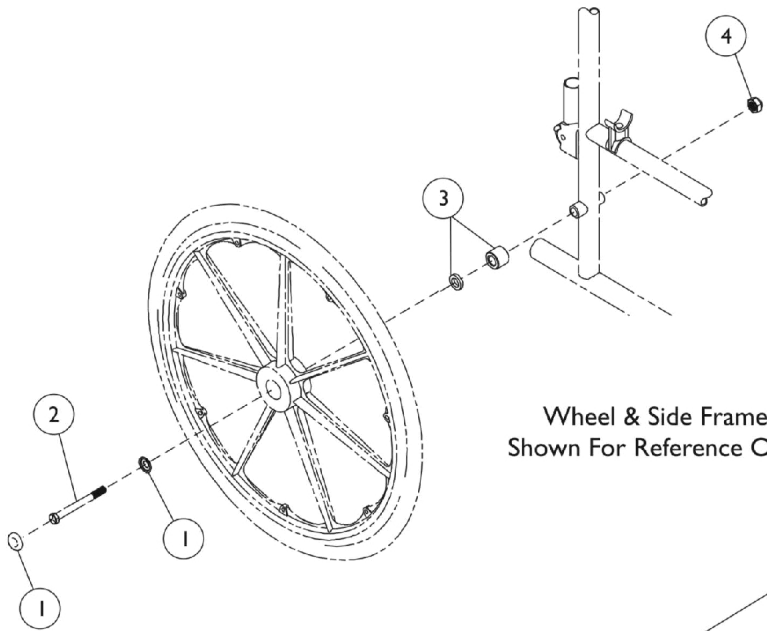
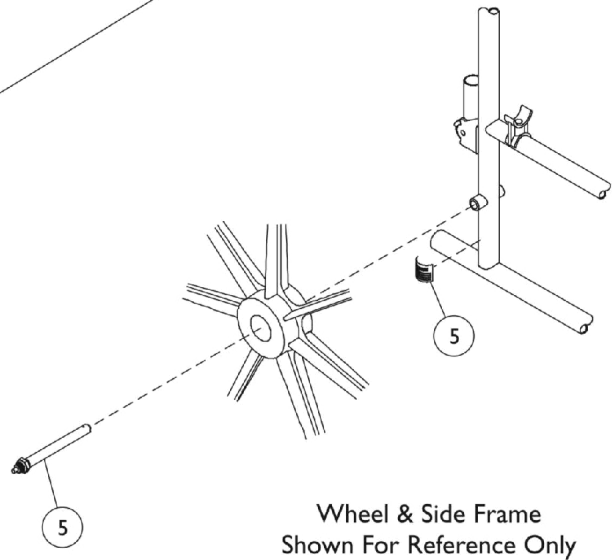


Rear Wheel Hardware



Wheel & Side Frame
Shown For Reference Only



Wheel & Side Frame
Shown For Reference Only

Rear Wheel Hardware

Rear Wheel Hub Cap

Part Number	Description
1027600-NLA See Note(s) A	#1 Hub Cap, Black
1047943 See Note(s) C, B	#1 Hub Cap w/Hardware, Black

NOTE: A - Before 11/19/98.
B - After 11/20/98.
C - Includes: (1) Caplug washer #1016289 and (1) Caplug cap #1016291.

Rear Wheel Attaching Hardware

Description	Hardware Kit	#2 Axle	#3 Spacer	#4 Locknut
Arm Style 78 and 88	1034106 See Note(s) A, B	47203X029	N/A	1045608
Arm Style 18, 19, 19JY, 28, 29 and 29JY	1034109 See Note(s) A, B, D	1085454	1022671	1045608
Arm Style 79, 79JY, 89 and 89JY	1110319 See Note(s) B, A	47203X025	1026101	1045608
9000 XT Recliner	1067777 See Note(s) A, C	1028554-NLA	1079153-NLA	60030X000

NOTE: A - Includes items 2, 3 and 4.
B - Includes 7/16" Axle.
C - Includes 5/8" Axle.
D - Not Shown. Components contained in Kit Hardware 1034109 must be ordered separately. Order part #1085454 Bolt, 1045608 Locknut, 1022671 Spacer.

Quick Release Axle Rear Wheel Hardware

Description	Part Number
#5 Quick Release Axle - Conventional Arms	1034113
#5 Quick Release Axle - Space Saver Arms	1034114