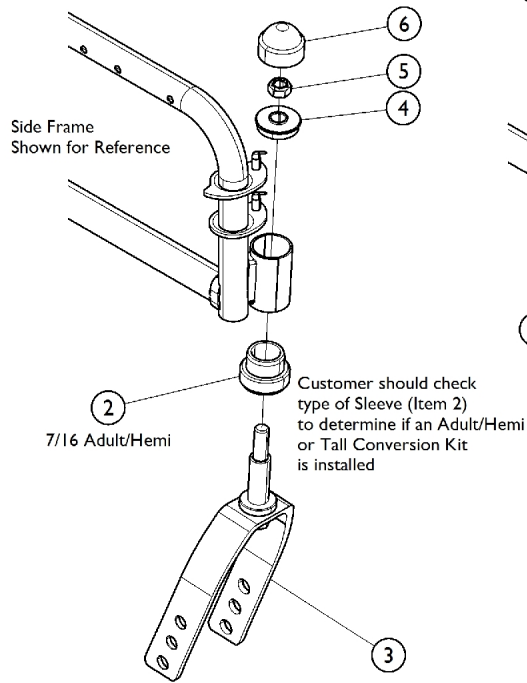


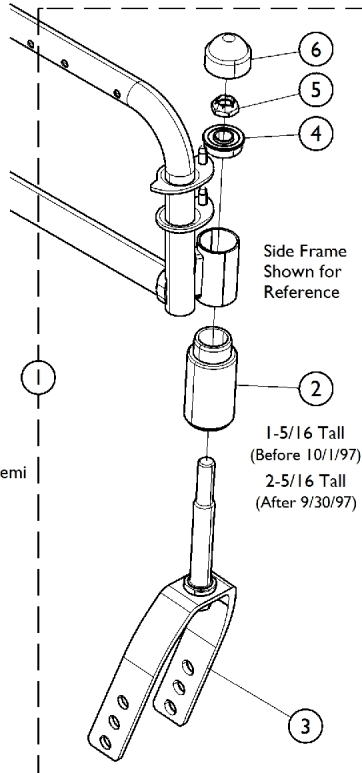
# Forks and Hardware

## 9000XDT - Adult/Hemi and Tall

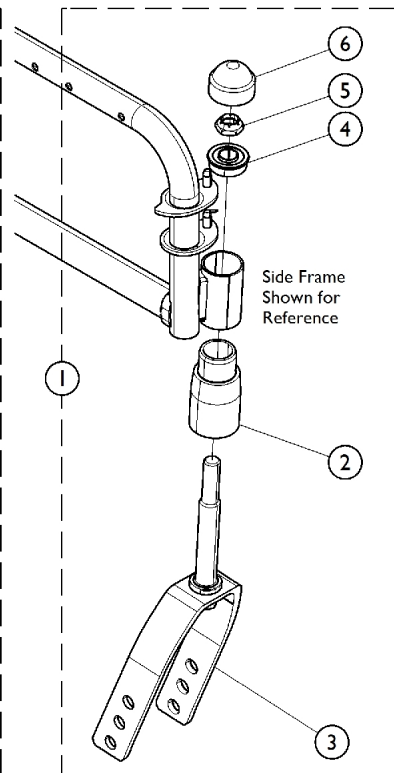
When converting from an Adult/Hemi seat to floor to a Tall seat to floor wheelchair, you must also replace the Side Frames.



**Adult/Hemi Fork and Hardware**



**Adult/Hemi to Tall Conversion Kit (After 9/30/97)**  
**Tall Fork and Hardware Only (After 9/30/97)**



**Adult/Hemi to Tall Conversion Kit (Before 10/1/97)**  
**Tall Fork and Hardware Only (Before 10/1/97)**

# Forks and Hardware

## 9000XDT - Adult/Hemi and Tall

**When converting from an Adult/Hemi seat to floor to a Tall seat to floor wheelchair, you must also replace the Side Frames.**

Item Number	Note	Part Number	Description	Quantity Per	
				Package	Assembly
1	A,D	1070843-NLA	NLA - Kit, Conversion, Chrome, Adult/ Hemi to Tall (Pair)	2	1
1	A,E	1075042-NLA	NLA - Kit, Conversion, Chrome, Adult/ Hemi to Tall (Pair)	2	1
2	B,D	1066590-NLA	NLA - Sleeve w/ Bearing, Chrome, Tall	1	1
2	B,E	1180828	Sleeve w/ Bearing, Silver Vein (71P), Tall	1	1
2	C	1074930	Sleeve w/ Bearing, Black, Adult/Hemi	1	1
3		1065589	Fork and Stem Assembly, Adult/Hemi	1	1
3	B	1062585	Fork and Stem Assembly, Tall	1	1
4	B	1001801	Bearing, Flange (1/2")	1	1
4	C	1065530	Bearing, Flange (7/16")	1	1
5	B	1001979	Locknut (1/2-20)	1	1
5	C	20225X000	Locknut (7/16-20)	1	1
6		1001843	Cap, Head Tube, Black	1	1
	G	1037422	Kit, Wheel Lock Shoe Spacer, 22" Rear Wheels (Pair)	1	1
			Spacer, Wheel Lock Shoe (1-45/64")	1	2
			Screw, Set Socket Cup Point (#8-32 x 3/16")	1	4
	G	1070845-NLA	NLA - Instruction Sheet	1	1
	G	1075041	Instruction Sheet	1	1
6		1131189	Package, Head Tube Cap	10	1

NOTE: A - Includes items 2 - 6 and Instruction Sheet. The side frames also need to be changed when converting from an adult/hemi seat to floor to the tall seat to floor.  
 B - Used with Tall Chairs only.  
 C - Used with Adult/Hemi Chairs only.  
 D - Before 10/1/97  
 E - 10/1/97-4/11/13 Chrome replaced Black. After 4/11/13 Chrome was replaced with Silver Vein (71P). Currently their is not a Conversion Kit in Silver Vein available to replace item #1 1075042. Item #'s 2-6 and Instruction Sheet must be ordered separately.  
 G - Not shown.

NOTE: 10/1/97-4/11/13 a product improvement was made to the Sleeve w/ Bearing and Black was discontinued and replaced with a Chrome finish. After 4/11/13 Chrome finish was replaced with Silver Vein (71P). Chairs with U2222 Rear Wheels will also need Wheellock Shoe Spacers w/ Hardware Part Number 1037422.