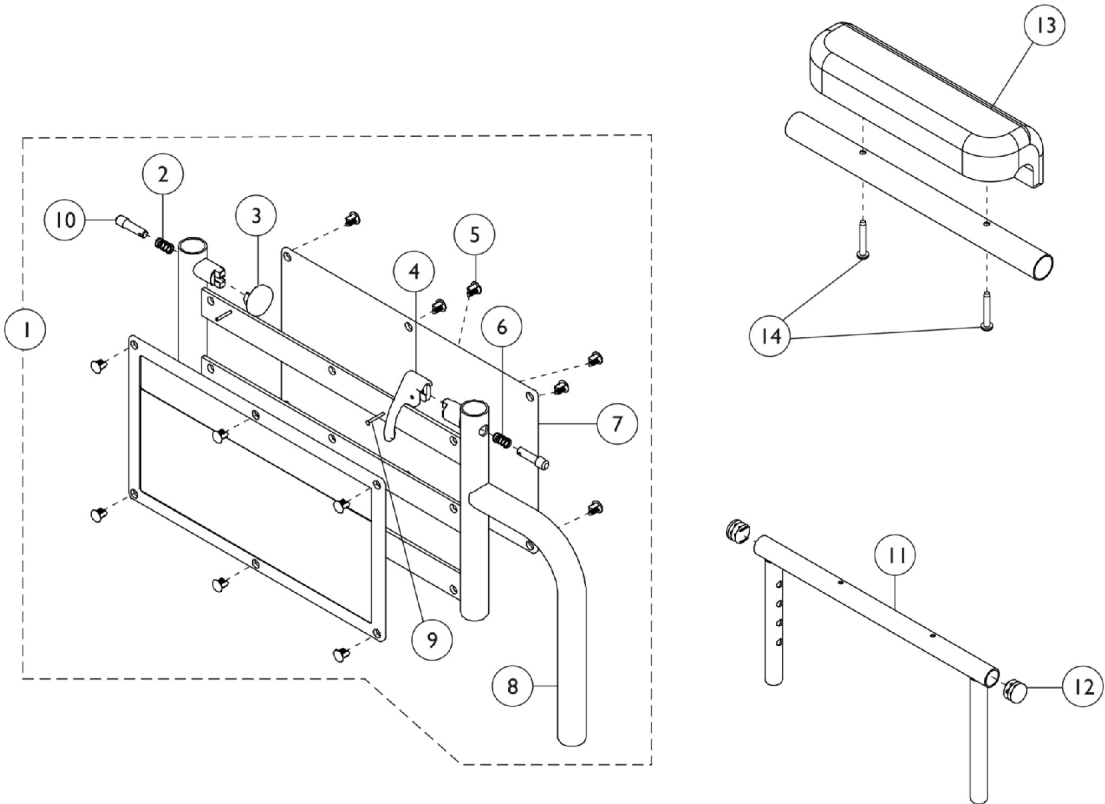


Conventional Adjustable Height Arms



Conventional Adjustable Height Arms

Item Number	Note	Part Number	Description	Quantity Per	
				Package	Assembly
1	A	1136069	Arm Base Assembly, Chrome - Right	1	1
2			Spring, Arm Lock	1	2
3			Lock, Handle Knob, Black	1	1
4			Handle, Lock, Black - Right	1	1
5			Rivet	1	6
6			NLA - Pin, Roll (5/64 x 5/8")	1	1
7			Guard, Clothing	1	1
8			Base, Arm, Chrome - Right/Left	1	1
9			Rivet, Tubular	1	1
10			Pin, Locking	1	2
1	A	1136070	Arm Base Assembly, Chrome - Left	1	1
2			Spring, Arm Lock	1	2
3			Lock, Handle Knob, Black	1	1
4			Handle, Lock, Black - Left	1	1
5			Rivet	1	6
6			NLA - Pin, Roll (5/64 x 5/8")	1	1
7			Guard, Clothing	1	1
8			Base, Arm, Chrome - Right/Left	1	1
9			Rivet, Tubular	1	1
10			Pin, Locking	1	2
1	A,B	8881136071	Arm Base Assembly, Color - Right	1	1
2			Spring, Arm Lock	1	2
3			Lock, Handle Knob, Black	1	1
4			Handle, Lock, Black - Right	1	1
5			Rivet	1	6
6			NLA - Pin, Roll (5/64 x 5/8")	1	1
7			Guard, Clothing	1	1
8			Base, Arm, Color - Right	1	1
9			Rivet, Tubular	1	1
10			Pin, Locking	1	2
1	A,B	8881136072	Arm Base Assembly, Color - Left	1	1
2			Spring, Arm Lock	1	2
3			Lock, Handle Knob, Black	1	1
4			Handle, Lock, Black - Left	1	1
5			Rivet	1	6
6			NLA - Pin, Roll (5/64 x 5/8")	1	1
7			Guard, Clothing	1	1
8			Base, Arm, Color - Right	1	1
9			Rivet, Tubular	1	1
10			Pin, Locking	1	2
11		1101488-NLA	NLA - Armrest, Adjustable Top with Plug Buttons, Full Length, Chrome	1	1
11		1101490-NLA	NLA - Armrest, Adjustable Top with Plug Buttons, Desk Length, Chrome	1	1
11		1101489	Armrest, Adjustable Top with Plug Buttons, Full Length, Black	1	1
11		1101491	Armrest, Adjustable Top with Plug Buttons, Desk Length, Black	1	1

Conventional Adjustable Height Arms

Item Number	Note	Part Number	Description	Quantity Per	
				Package	Assembly
12		1027095	Plug Button, Black (7/8")	1	2
13	G	1110817	Kit, Arm Pad w/ Screws, Desk Length, Urethane Waterfall, Black (9" L x 2-5/8" W) (Pair)	1	1
13	C,G	1110818	Kit, Arm Pad w/ Screws, Full Length, Urethane Waterfall, Black (13" L x 2-5/8" W) (Pair)	1	1
13	C,G	1117327	Kit, Arm Pad w/ Screws, Desk Length, Urethane Waterfall, Black (9" L x 2-5/8" W)	1	2
13	G	1117328	Kit, Arm Pad w/ Screws, Full Length, Urethane Waterfall, Black (13" L x 2-5/8" W)	1	2
14		1102153-NLA	NLA - Hardware, Armpad	1	2
14		1115322	Hardware, Armpad (Pair)	1	2
	D,E	1090768	Kit, Lock Handle w/Rivets (Pair)	1	1
	F	7100053	Arm Lock Assembly, Black - Right	1	1
			Handle, Lock, Black - Right	1	1
			Rivet, Tubular	1	2
			Pin, Locking	1	2
			Spring, Arm Lock	1	2
	F	7100054	Arm Lock Assembly, Black - Left	1	1
			Handle, Lock, Black - Left	1	1
			Rivet, Tubular	1	2
			Pin, Locking	1	2
			Spring, Arm Lock	1	2

NOTE: A - Includes items 2-10.
 B - Specify frame color when ordering. See category titled, "Frame Finishes, Packaging, and Upholstery Colors."
 C - Due to style change, arm pads are now sold in pairs and include hardware.
 D - Not shown.
 E - Includes items 4 and 9.
 F - Not shown. Includes items 4, 6, 9 and 10.
 G - Topaz Wheelchairs require longer mounting screws. When ordering this Armpad kit, also order item 14, kit #1115322.