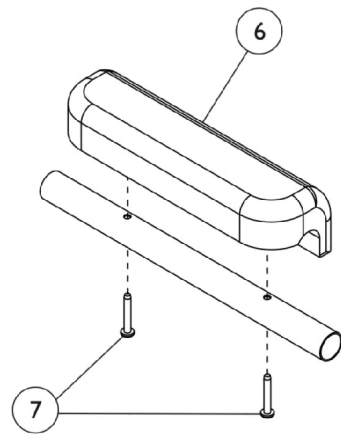
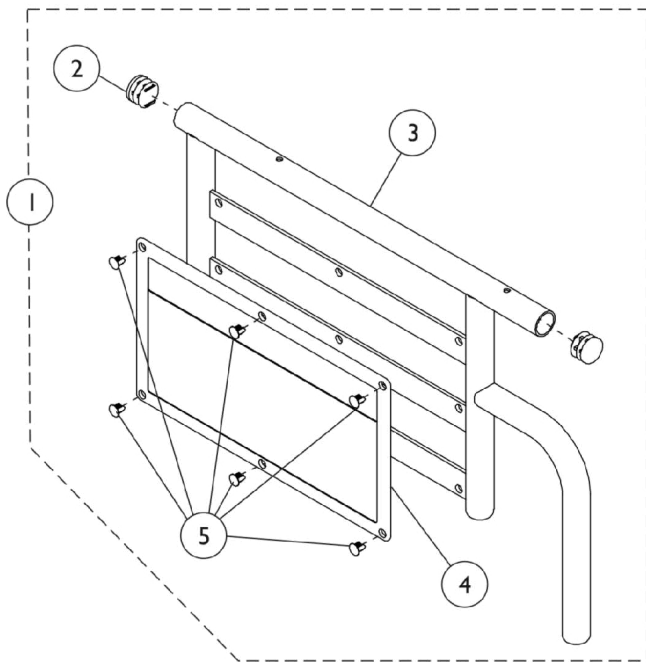


Conventional Fixed Height Arms



Conventional Fixed Height Arms

Item Number	Note	Part Number	Description	Quantity Per	
				Package	Assembly
1	A	1136075-NLA	NLA - Arm Base Assembly, Full Length, Chrome - Right	1	1
2			Plug Button, Black (7/8")	1	2
3			Base, Arm, Full Length, Chrome - Right/Left	1	1
4			Guard, Clothing	1	1
5			Rivet	1	6
1	A	1136076	NLA - Arm Base Assembly, Full Length, Chrome - Left	1	1
2			Plug Button, Black (7/8")	1	2
3			Base, Arm, Full Length, Chrome - Right/Left	1	1
4			Guard, Clothing	1	1
5			Rivet	1	6
1	A,B	8881136077	Arm Base Assembly, Full Length, Color - Right	1	1
			Plug Button, Black (7/8")	1	2
			Rivet	1	6
			Guard, Clothing	1	1
			Base, Arm, Full Length, Color - Right/Left	1	1
1	A,B	8881136078	Arm Base Assembly, Full Length, Color - Left	1	1
			Plug Button, Black (7/8")	1	2
			Rivet	1	6
			Guard, Clothing	1	1
			Base, Arm, Full Length, Color - Right/Left	1	1
1	A	1136079	NLA - Arm Base Assembly, Desk Length, Chrome - Right	1	1
2			Plug Button, Black (7/8")	1	2
3			Base, Arm, Desk Length, Chrome - Right/Left	1	1
4			Guard, Clothing	1	1
5			Rivet	1	6
1	A	1136080	NLA - Arm Base Assembly, Desk Length, Chrome - Left	1	1
2			Plug Button, Black (7/8")	1	2
3			Base, Arm, Desk Length, Chrome - Right/Left	1	1
4			Guard, Clothing	1	1
5			Rivet	1	6
1	A	8881136081	Arm Base Assembly, Desk Length, Color - Right	1	1
2			Plug Button, Black (7/8")	1	2
3			Base, Arm, Desk Length, Color - Right/Left	1	1
4			Guard, Clothing	1	1
5			Rivet	1	6
1	A	8881136082	Arm Base Assembly, Desk Length, Color - Left	1	1
2			Plug Button, Black (7/8")	1	2
3			Base, Arm, Desk Length, Color - Right/Left	1	1
4			Guard, Clothing	1	1
5			Rivet	1	6
6	C,D	1110817	Kit, Arm Pad w/ Screws, Desk Length, Urethane Waterfall, Black (9" L x 2-5/8" W) (Pair)	2	2
6	C,D	1110818	Kit, Arm Pad w/ Screws, Full Length, Urethane Waterfall, Black (13" L x 2-5/8" W) (Pair)	2	2

Conventional Fixed Height Arms

Item Number	Note	Part Number	Description	Quantity Per	
				Package	Assembly
6	D	1117327	Kit, Arm Pad w/ Screws, Desk Length, Urethane Waterfall, Black (9" L x 2-5/8" W)	1	1
6	D	1117328	Kit, Arm Pad w/ Screws, Full Length, Urethane Waterfall, Black (13" L x 2-5/8" W)	1	1
7		1102153-NLA	NLA - Hardware, Armpad	2	1
7		1115322	Hardware, Armpad (Pair)	2	1
NOTE: A - Includes items 2-5. B - Specify frame color when ordering. See category titled, "Frame Finishes, Packaging, and Upholstery Colors." C - Due to style change, arm pads are now sold in pairs and include hardware. D - Topaz Wheelchairs require longer mounting screws. When ordering this Armpad kit, also order item 14, kit #1115322.					