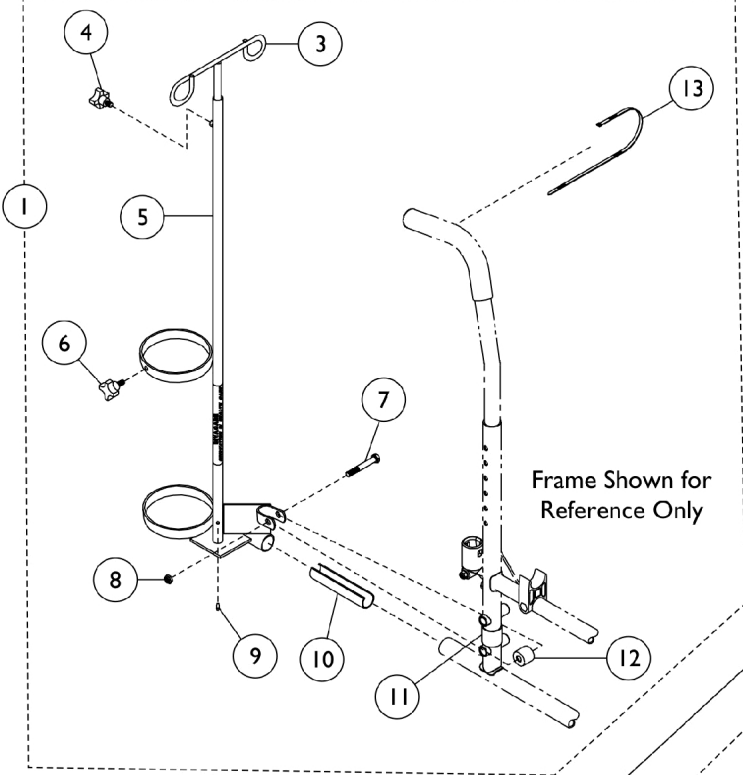
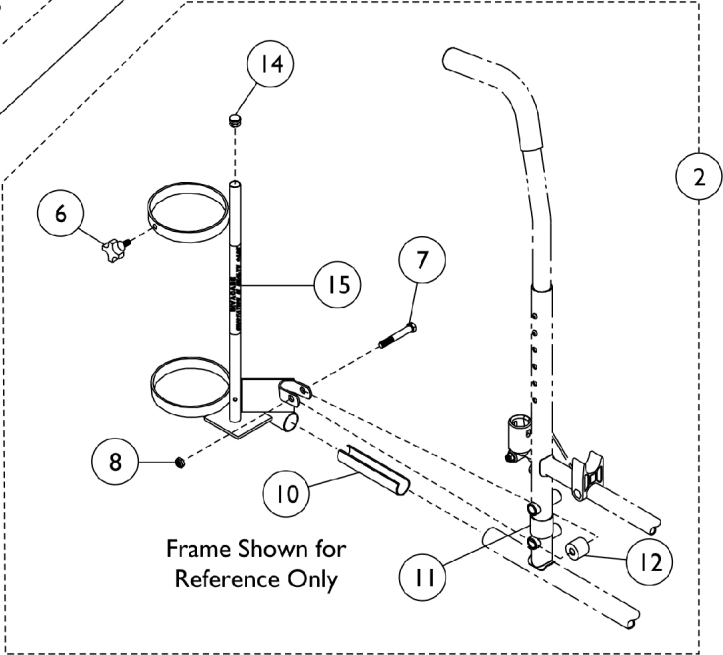


# I.V. Oxygen Holder - T1496, Oxygen Holder -T1497

## Model T1496



## Model T1497



## I.V. Oxygen Holder - T1496, Oxygen Holder -T1497

Item Number	Note	Part Number	Description	Quantity Per	
				Package	Assembly
1	B	1098827	Holder, I.V./Oxygen - T1496	1	1
2	C	1098829	Holder, Oxygen - T1497	1	1
3		1027468	Rod, I.V.	1	1
4		1027683	Knob, Adjustment, Black	1	1
5		1070898	Base, I.V./Oxygen	1	1
6		1027684	Knob, Clamping, Black	1	1
7		11239X000-NLA	NLA - Screw, Hex Head (5/16-24 x 1-3/4")	1	1
8		60264X001	Locknut (5/16-24)	1	1
9		1027789	Pin, Roll	1	1
10		1023560	Insert, Guide Tube, Black (3-3/4" Long)	1	1
11		1023618	Insert, Guide Tube, Black (1" Long)	1	1
12		1102577	Spacer, Black (5/16 x 11/16 x 15/16")	1	1
12		1017843-NLA	NLA - Spacer, Chrome (5/16 x 11/16 x 15/16")	1	1
13		98007X005	Tie Wrap (11-1/2" L)	1	1
14		1017672	Plug Button, Grey (1/2")	1	1
15		1070900-NLA	NLA - Base, Oxygen Holder	1	1
	A,D	1027931	Instruction Sheet, I.V./Oxygen Holder	1	1
	A,E	1027930	Instruction Sheet, Oxygen Holder	1	1
	A	1095497	Decal, Invacare Logo (1.6)	1	1

NOTE: A - Not Shown.  
B - Includes Items 1 and 3-12.  
C - Includes Items 4, 6-8, 10-12 and 14-15.  
D - Used with Model T1496.  
E - Used with Model T1497.