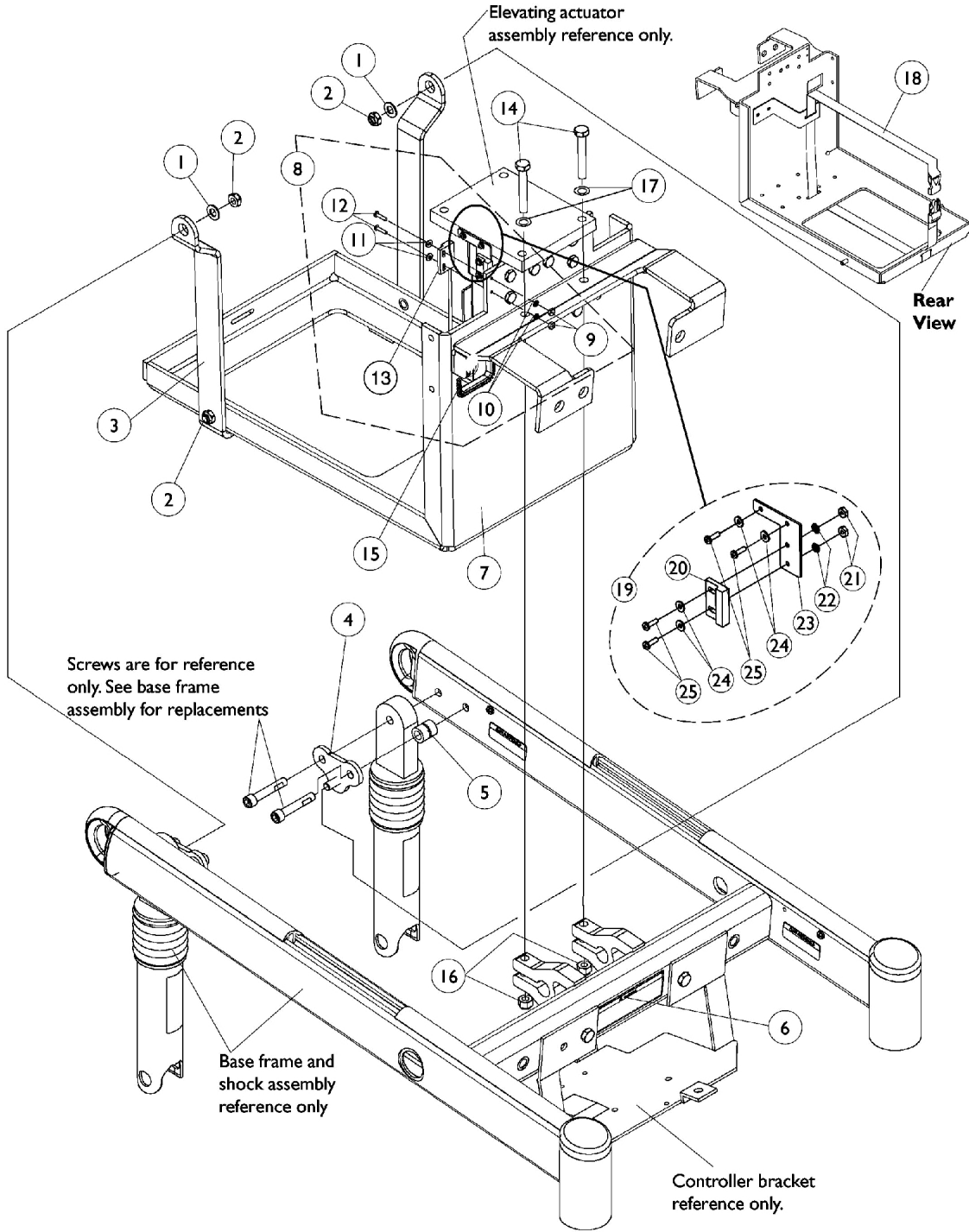


Battery Tray, Proximity Sensor and Hardware For Elevating Seat

Discontinued 10/16/06. After 10/15/06, Refer to Formula CG Powered Seating System Parts Catalog Form #06-106 for the Elevate Option components for 3G Storm Series.



Battery Tray, Proximity Sensor and Hardware For Elevating Seat

Discontinued 10/16/06. After 10/15/06, Refer to Formula CG Powered Seating System Parts Catalog Form #06-106 for the Elevate Option components for 3G Storm Series.

Item Number	Note	Part Number	Description	Quantity Per	
				Package	Assembly
1		1025704	Washer, Flat (5/16 x 5/8 x 1/16")	1	2
2		1028769	Locknut (5/16-18)	1	4
3		1106529-NLA	NLA - Bracket, Battery Tray Support, Black	1	2
4		1049354-NLA	NLA - Bracket, Hanger, Black	1	2
5		1104881	Spacer (3/8 x 5/8 x 3/4")	1	2
6		1106662-NLA	NLA - Label, Warning, Elevating Seat	1	1
7		1106517-NLA	NLA - Tray, Battery	1	1
8	A	1108774-NLA	NLA - Hardware, Proximity Switch Sensor and Mounting	1	1
9		1005889	NLA - Locknut (#4-40)	1	2
10		1008525-NLA	NLA - Washer, Internal Tooth Lock (#4-40)	1	2
11		1011011-NLA	NLA - Washer, Plain (1/8 x 5/16 x 1/32")	1	2
12		1021742	Screw, Phillips Pan Head (#4-40 x 1/2")	1	2
13		1105715-NLA	NLA - Sensor, Proximity Switch	1	1
14		1042484-NLA	NLA - Screw, Hex Head (5/16-18 x 2")	1	2
15		1109563-NLA	NLA - Strip, Grommet	1	1
16		1026158	Locknut (5/16-18)	1	2
17		1074133	Washer, Steel (5/16 x 3/4 x 1/16")	1	2
18		1049846	Strap Assembly, Battery	1	1
19	D	1108773-NLA	NLA - Hardware, Actuator Switch Sensor and Mounting	1	1
20		1024001	Sensor, Actuator Switch	1	1
21		1005889	NLA - Locknut (#4-40)	1	2
22		1008525-NLA	NLA - Washer, Internal Tooth Lock (#4-40)	1	2
23		1106518-NLA	NLA - Bracket, Actuator Switch Sensor, Black	1	1
24		1011011-NLA	NLA - Washer, Plain (1/8 x 5/16 x 1/32")	1	4
25		1027704-NLA	NLA - Screw, Phillips Pan Head (#4-40 x 3/8")	1	4
	B,C	1108775-NLA	NLA - Hardware, Battery Tray Mounting	1	1
NOTE: A - Includes items 9-13 B - Includes items 1-5 C - Not Shown D - Includes items 20-25					