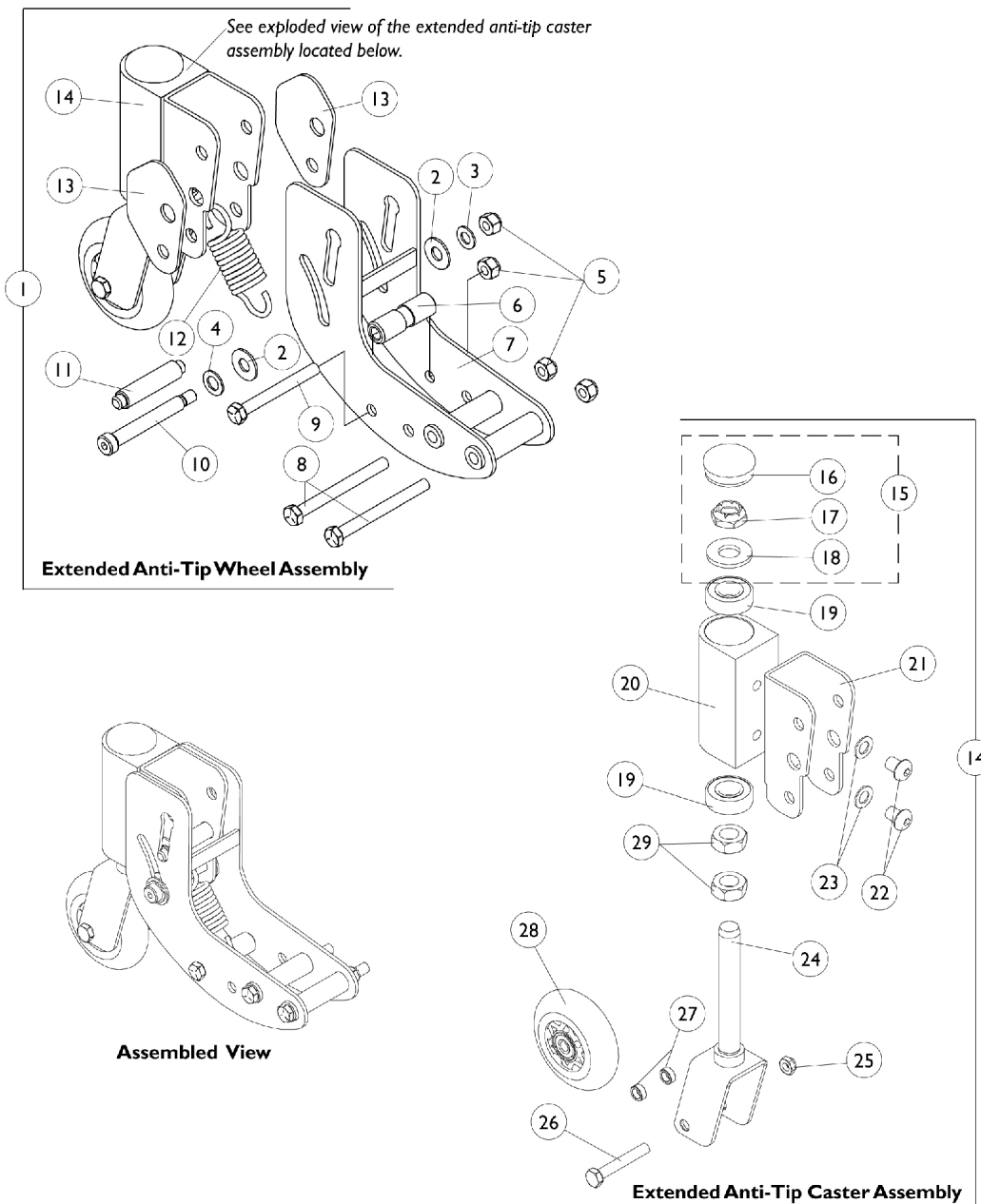


# Extended Anti-Tip Wheel Assembly

**NOTE:** Extended anti-tip wheels are standard on all 2nd Generation Powered Seating Systems ordered with a vent tray and optional for all other configurations. Extended Anti-Tippers are optional for all Formula CG Powered Seating including when a vent tray is ordered. Field retrofitable to spring shock suspension systems only.

**NOTE:** Extended anti-tip wheel assembly components made for 3G storm bases ordered with vent trays and Gearless/Brushless motors between 3/01/01 - 04/14/02 are NLA, see item 1 for an extended anti-tip wheel assembly kit.



## Extended Anti-Tip Wheel Assembly

**NOTE:** Extended anti-tip wheels are standard on all 2nd Generation Powered Seating Systems ordered with a vent tray and optional for all other configurations. Extended Anti-Tippers are optional for all Formula CG Powered Seating including when a vent tray is ordered. Field retrofitable to spring shock suspension systems only.

**NOTE:** Extended anti-tip wheel assembly components made for 3G storm bases ordered with vent trays and Gearless/Brushless motors between 3/01/01 - 04/14/02 are NLA, see item 1 for an extended anti-tip wheel assembly kit.

Item Number	Note	Part Number	Description	Quantity Per	
				Package	Assembly
1	A	1110930-NLA	NLA - Kit, Extended Anti-Tip Assembly w/ Instruction Sheet (Pair)	2	1
2		1012371	Washer, Nylon (3/8 x 7/8 x 1/16")	1	2
3		1025704	Washer, Flat (5/16 x 5/8 x 1/16")	1	1
4		1065214	Washer, Flat (3/8 x 11/16 x 1/16")	1	1
5		1026158	Locknut (5/16-18)	1	4
6		1109184	Spacer, Grooved, Black (5/16 x 5/8 x 2")	1	1
7	D	1108575-NLA	NLA - Bracket, 3G Anti-Tip, Black	1	1
8		1070397-NLA	NLA - Screw, Hex Head (5/16-18 x 3-1/4")	1	2
9		1042486	Screw, Hex Head (5/16-18 x 2-3/4")	1	1
10		1070411-NLA	NLA - Bolt, Shoulder (3/8 x 2-1/2")	1	1
11		1111713	Pin, Idle	1	1
12		1108574-NLA	NLA - Spring, Extension (1 x 3" L)	1	1
13		1111866-NLA	NLA - Spacer, Anti-Tip	1	2
14	B	1108578-NLA	NLA - Extended Anti-Tip Caster Assembly	1	1
15		1057949	Hardware, Fork Stem	1	1
16		1056739	Plug Button, Head Tube, Black	1	1
17		1028550	Locknut (5/8-18)	1	1
18		1041444	Washer, Nylon (5/8 x 1-5/16 x 1/8")	1	1
19		40117X006	Bearing (5/8")	1	2
20		1108583-NLA	NLA - Headtube, Anti-Tip, Black	1	1
21		1109185-NLA	NLA - Bracket, Headtube Mounting, Black	1	1
22		1104748-NLA	NLA - Screw, Socket Button Head w/ Patch (3/8-16 x 1/2")	1	2
23		1065214	Washer, Flat (3/8 x 11/16 x 1/16")	1	2
24		1109186-NLA	NLA - Fork (3" Caster)	1	1
25		1025730	Locknut (5/16-24)	1	1
26		1031891	Screw, Hex Head (5/16-24 x 2")	1	1
27		47183X047	Spacer (5/16 x 1/2 x 3/16")	1	2
28		1101757	Wheel Assembly (3" x 1")	1	1
29		1109558-NLA	NLA - Nut, Hex Jam (5/8-18)	1	2
	C,E	1110515-NLA	NLA - Instruction Sheet, Extended Anti-Tip Assembly Kit	1	1

**NOTE:** A - Includes items 2-14  
 B - Includes items 16-29 (Per Side)  
 C - Not Shown.  
 D - No longer available as a service part, use Item 1 (1110930) as a replacement.  
 E - Item is no longer available from the Invacare Service Parts Department. Refer to the Invacare Website under "Product Literature Search". Enter the part number in the "Keywords" field and download a free PDF version copy.