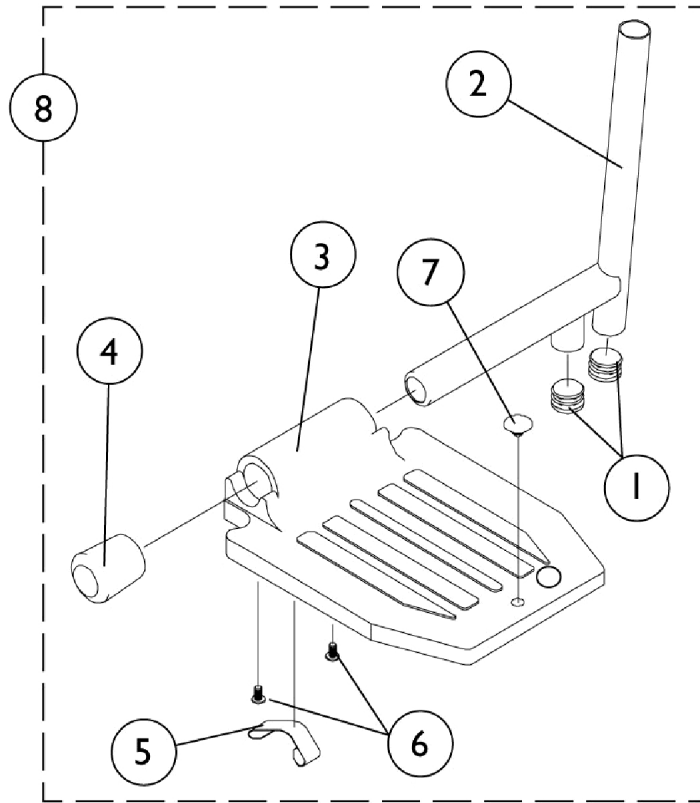


Pivot/ Slide Tube and Footplate - Legrests

For the Following Legrests:
P904A PH904A, PAL4A, PHAL4A

Note: Heel Loops are not included. See miscellaneous accessories.



Pivot/ Slide Tube and Footplate - Legrests

**For the Following Legrests:
P904A PH904A, PAL4A, PHAL4A**

Note: Heel Loops are not included. See miscellaneous accessories.

Item Number	Note	Part Number	Description	Quantity Per	
				Package	Assembly
1		1027097	Plug Button, Black (3/4")	1	2
2	A	1100568-NLA	NLA - Pivot/Slide Tube w/ Plug Button, Black	1	1
2	B	1041526	Pivot/Slide Tube w/ Plug Button Assembly, Chrome	1	1
3		44200X027	Footplate, Aluminum, Medium, Black (7-3/4" W x 6" L)	1	1
4		1016346	Cap, End, Tube, Black (7/8")	1	1
5		1006981	Spring, Tension	1	1
6		40120X001	Screw, Phillips Pan Head (#8-32 x 3/8")	1	2
7		1070168	Plug, Push, Footplate	1	1
8	A	1058604	Pivot/Slide Tube w/ Aluminum Footplate, Black - Right	1	1
8	A	1058605	Pivot/Slide Tube Assembly w/ Aluminum Footplate, Black - Left	1	1
8	B	1023907	Footplate w/Pivot Slide Tube - RH (18")	1	1
8	B	1023908	Footplate w/Pivot Slide Tube - LH (18")	1	1
NOTE: A - For P904A, PH904A B - For PAL4A, PHAL4A					