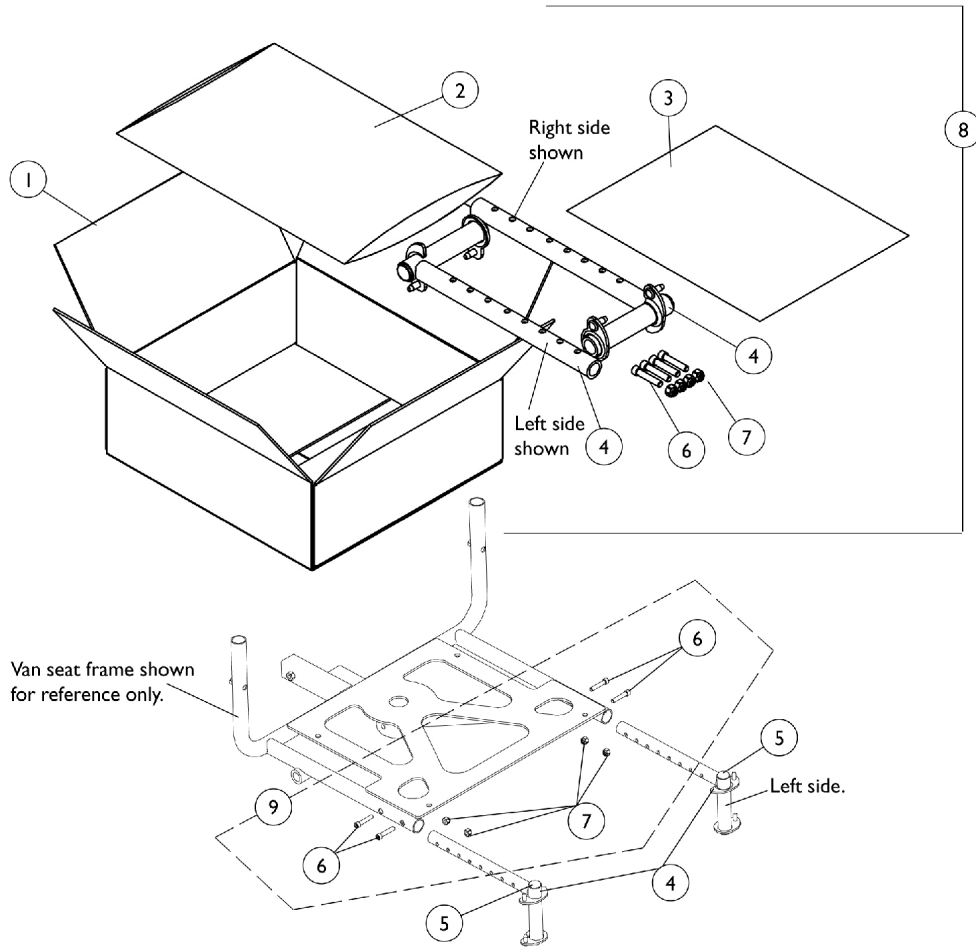


Front Riggings Attachment Kit (FRKTM5) Before 9/1/02



Item Number	Note	Part Number	Description	Quantity Per	
				Package	Assembly
1		40131X148-NLA	NLA - Carton, Hardware	1	1
2		1021149-NLA	NLA - Bag, Poly Zip-Lip (13" L x 9" W)	1	1
3	B	1110523-NLA	NLA - Instruction Sheet, Front Rigging Hanger	1	1
4		1111690-NLA	NLA - Front Rigging Hanger Assembly w/ Plug Button, Adult, Black - Right	1	1
4		1111691-NLA	NLA - Front Rigging Hanger Assembly w/ Plug Button, Adult, Black - Left	1	1
5		1027097	Plug Button, Black (3/4")	1	1
6		1003545	Screw, Socket Head (1/4-20 x 1-1/4")	1	4
7		1025736	Locknut (1/4-20)	1	4
8	A	1112285-NLA	NLA - Kit, Front Rigging Attachment (Pair)	2	1

NOTE: A - Includes items 1-4, 6, 7
 B - Item is no longer available from the Invacare Service Parts Department. Refer to the Invacare Website under "Product Literature Search". Enter the part number in the "Keywords" field and download a free PDF version copy.