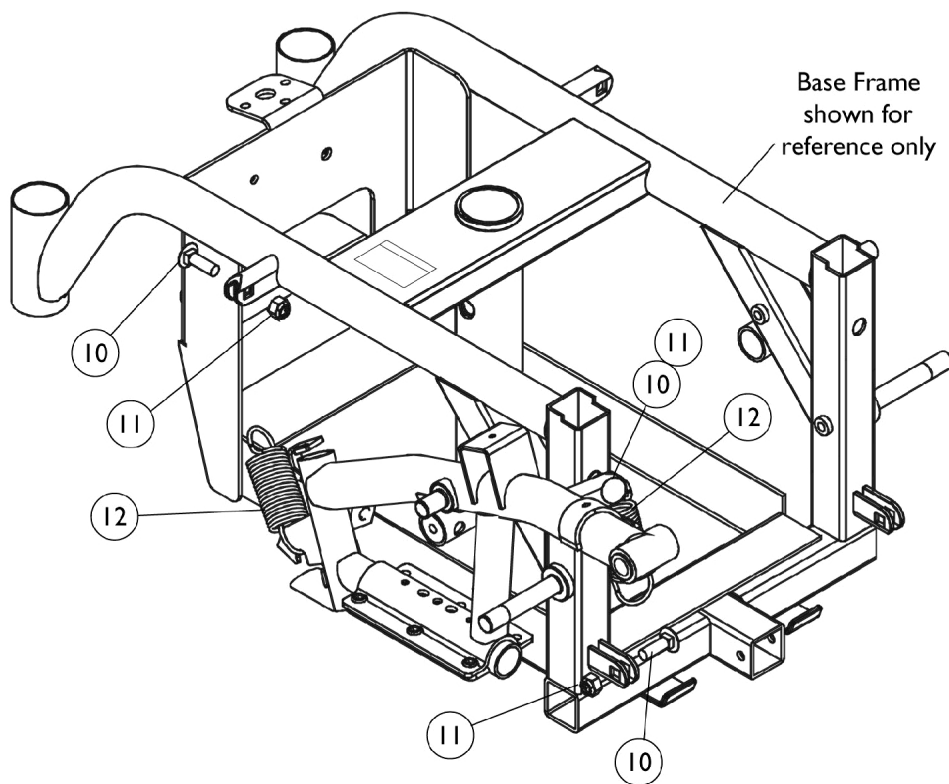
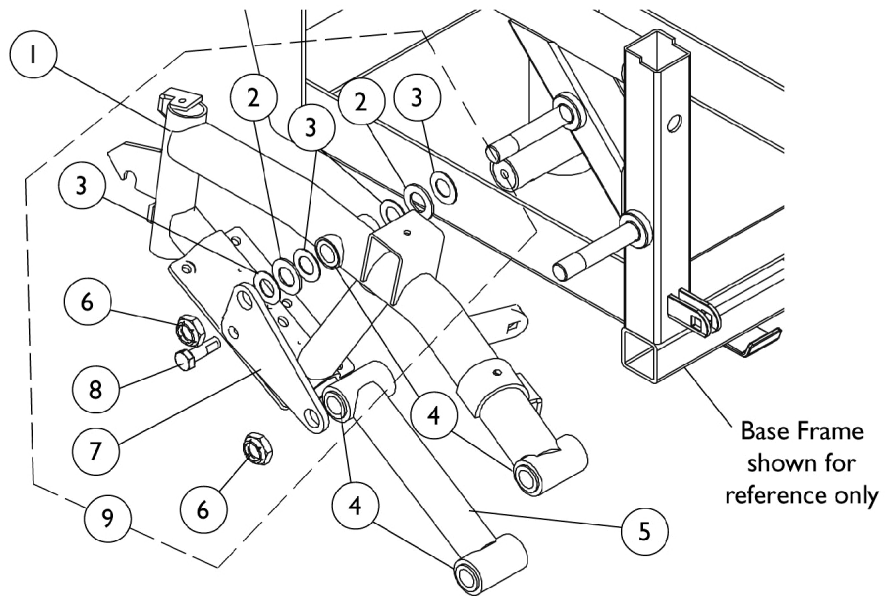


SureStep Walking Beams and Hardware



SureStep Walking Beams and Hardware

| Item Number | Note | Part Number | Description | Quantity Per | |
|---|------|---------------|---|--------------|----------|
| | | | | Package | Assembly |
| 1 | A | 1109025-NLA | NLA - Walking Beam, SureStep - Right | 1 | 1 |
| 1 | A | 1109026-NLA | NLA - Walking Beam, SureStep - Left | 1 | 1 |
| 2 | | 40157X015-NLA | NLA - Washer, Nylon (9/16 x 1 x 5/8") | 1 | 2 |
| 3 | | 1106492-NLA | NLA - Washer (1/2 x 29/32 x 1/32") | 1 | 4 |
| 4 | | 1106485 | Bushing (1/2 x 5/8") | 1 | 8 |
| 5 | A | 1109018 | Tube, Pivot, Black | 1 | 1 |
| 6 | | 1025737 | Locknut (1/2-20) | 1 | 2 |
| 7 | | 1106078-NLA | NLA - Plate Reinforcement | 1 | 1 |
| 8 | | 1050161-NLA | NLA - Screw, Hex Head w/ Patch (5/16-18 x 1") | 1 | 1 |
| 9 | B | 1108066-NLA | NLA - Kit, SureStep Walking Beam Hardware | 1 | 1 |
| 10 | | 1105030 | Bolt, Round Head Square Neck (5/16-18 x 1") | 1 | 3 |
| 11 | | 1026158 | Locknut (5/16-18) | 1 | 3 |
| 12 | | 1105028-NLA | NLA - Spring, Extension (1-1/4 x 3-1/2" L) | 1 | 2 |
| NOTE: A - Includes item 4 B - Includes items 2, 3, 6-8 | | | | | |