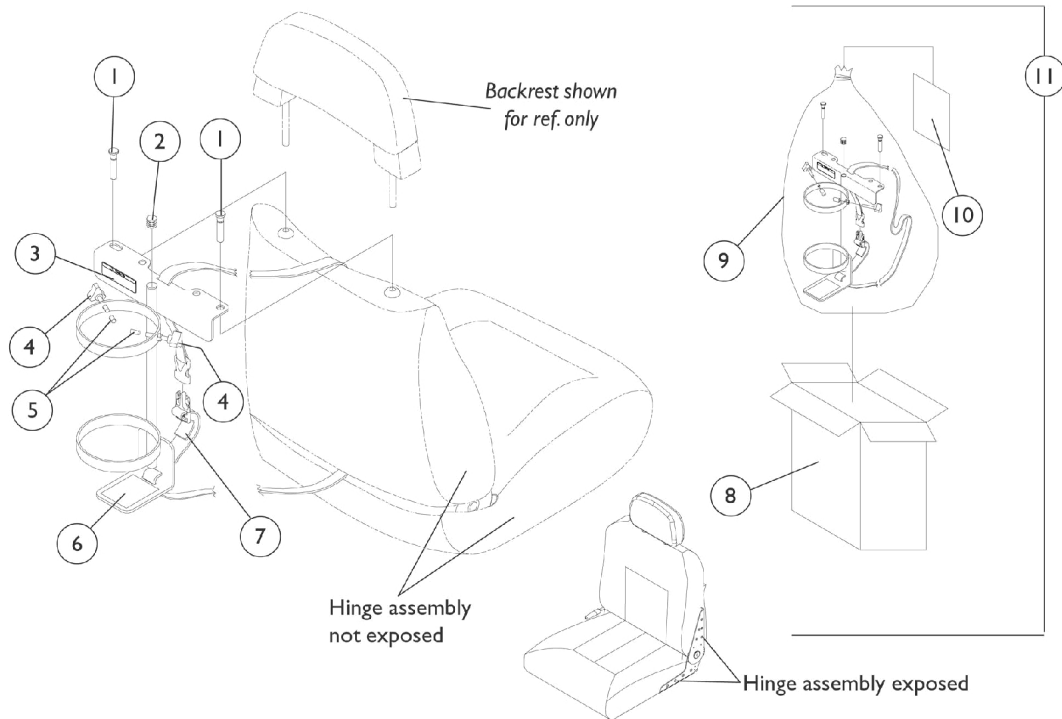


Oxygen Holder Assembly Before 4/15/03 Van Seat



Item Number	Note	Part Number	Description	Quantity Per	
				Package	Assembly
1	A	1080865-NLA	NLA - Pin, Oxygen Holder	1	2
2		1035614	Plug Button, Black (5/8")	1	1
3		1080866	Decal, Oxygen Warning - English	1	1
4		1027684	Knob, Clamping, Black	1	2
5		1086780-NLA	NLA - Package, Protective Cap	10	2
6		1073159-NLA	NLA - Pad, Non-Skid	1	1
7		1080872-NLA	NLA - Strap and Buckle Assembly	1	1
8		1083052-NLA	NLA - Carton, Shipper, Oxygen Holder	1	1
9		2000454-NLA	NLA - Bag, Poly (39" L x 33" W)	1	1
10		1080869-NLA	NLA - Instruction Sheet, Oxygen Holder	1	1
11	B,C	1080870-NLA	NLA - Oxygen Holder Assembly with Instruction Sheet	1	1

NOTE: A - Oxygen holder pins are to be used when backrest is absent.
 B - Includes items 1-10
 C - Due to product improvement, see oxygen holder assemblies dated after 4/14/03 that will accommodate both (exposed and non-exposed) captain seat hinge assemblies. Special orders are no longer needed for exposed hinge assembly models.