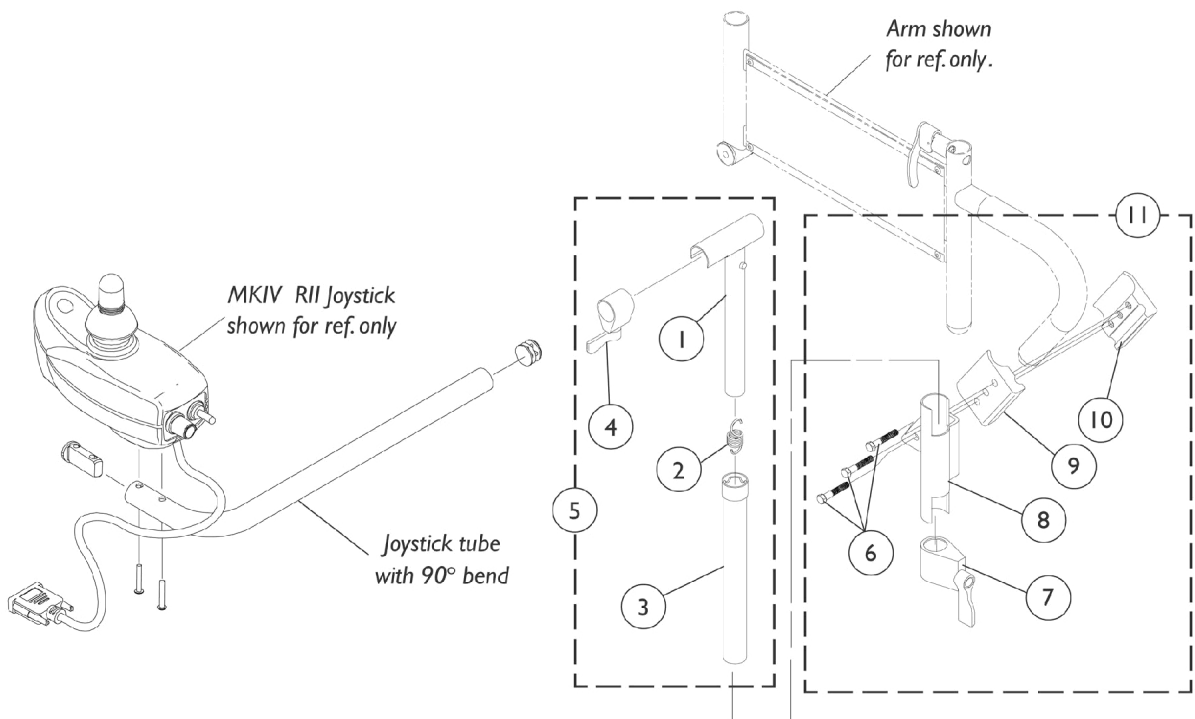


Mid-Line Swing Bracket Assembly

NOTE: Joystick Tube with 90 degree bend must be ordered as a special when a replacement is needed.



Mid-Line Swing Bracket Assembly

NOTE: Joystick Tube with 90 degree bend must be ordered as a special when a replacement is needed.

Item Number	Note	Part Number	Description	Quantity Per	
				Package	Assembly
1		1035528-NLA	NLA - Tube, Adjustment, Inside, Mid-Line, Black	1	1
2		1016778-NLA	NLA - Spring, Extension (9/16 x 1-3/8" L)	1	1
3		1035860-NLA	NLA - Tube, Adjustment, Outside, Mid-Line, Black	1	1
4		1027274	Adjustment Lock Assemnbly, Black	1	1
5	B	1035852-NLA	NLA - Swing Bracket Assembly, Mid-Line, Black	1	1
6		16690X004-NLA	NLA - Screw, Hex Head (1/4-20 x 1-1/8")	1	3
7		1027274	Adjustment Lock Assemnbly, Black	1	1
8	A	1071879-NLA	NLA - Bracket, Joystick Mounting, Black	1	1
9		1027266	Half Clamp, Non-Threaded Holes	1	1
10		1027267-NLA	NLA - Half Clamp, Threaded Holes	1	1
11	A,C	1071880-NLA	NLA - Hardware, Attaching - Mid-Line	1	1

NOTE: A - Left side joystick mounting bracket or hardware must be ordered as a special.
 B - Includes items 1-4
 C - Includes items 6-10