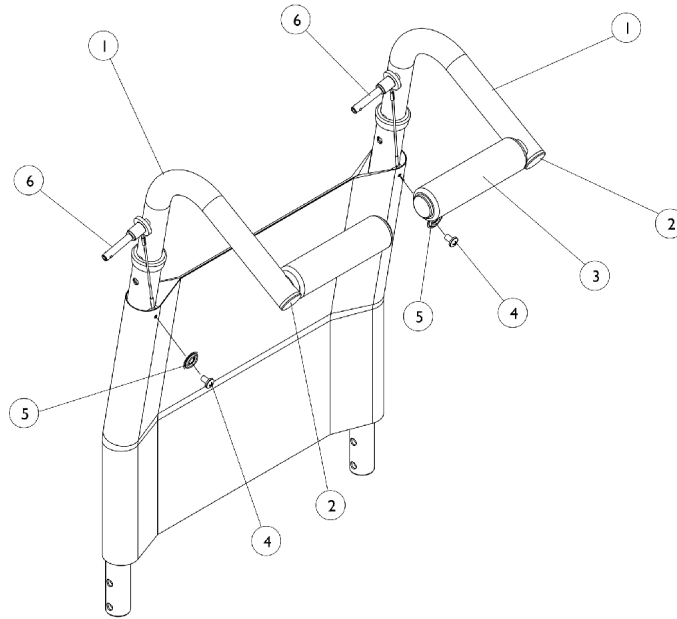


# Stroller Handle

**NOTE: For Back Canes and Hardware, see category titled, "Canes - Back."**



Item Number	Note	Part Number	Description	Quantity Per	
				Package	Assembly
1		1101954	Stroller Handle - Right	1	1
1		1101955	Stroller Handle - Left	1	1
2		1027095	Plug Button, Black (7/8")	1	6
3		1101930	Grip, Handle, Black	1	2
4		1026115-NLA	NLA - Screw, Phillips Pan Head (#10-32 x 5/16")	1	2
5		7930325-NLA	NLA - Washer (1/4 x 3/4 x 3/32")	25	2
6		1045470	Pin, Quick Release with Lanyard	1	2
	A,B	1101956	Stroller Handle Assembly - Right	1	1
	A,B	1101957	Stroller Handle Assembly - Left	1	1
	A,C	1102020	Hardware, Attaching	2	1

NOTE: A - Not Shown.  
 B - Includes items 1 thru 3.  
 C - Includes items 4 thru 6.