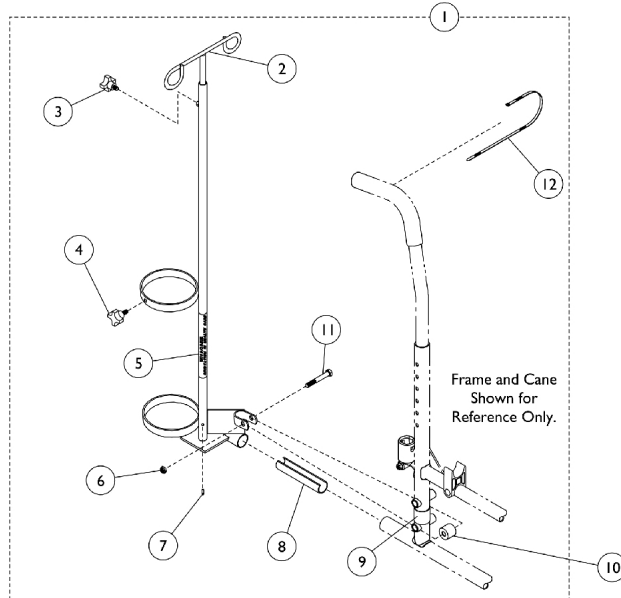


# I.V./ Oxygen Holder



Item Number	Note	Part Number	Description	Quantity Per	
				Package	Assembly
1	A,B	1034217	Holder, I.V./Oxygen	1	1
2		1027468	Rod, I.V.	1	1
3		1027683	Knob, Adjustment, Black	1	1
4		1027684	Knob, Clamping, Black	1	1
5		1095497	Decal, Invacare Logo (1.6)	1	1
6		7930363-NLA	NLA - Package, Locknut (5/16"-24)	25	1
7		1027789	Pin, Roll	1	1
8		1023560	Insert, Guide Tube, Black (3-3/4" Long)	1	1
9		1023618	Insert, Guide Tube, Black (1" Long)	1	1
10		1102577	Spacer, Black (5/16 x 11/16 x 15/16")	1	1
11		11239X000-NLA	NLA - Screw, Hex Head (5/16-24 x 1-3/4")	1	1
12		98007X005	Tie Wrap (11-1/2" L)	1	1
	C	1027931	Instruction Sheet, I.V./Oxygen Holder	1	1

NOTE: A - Includes 2-9, 11 and 12.  
 B - Items 8 and 9 may not be required for assembly.  
 C - Not shown.