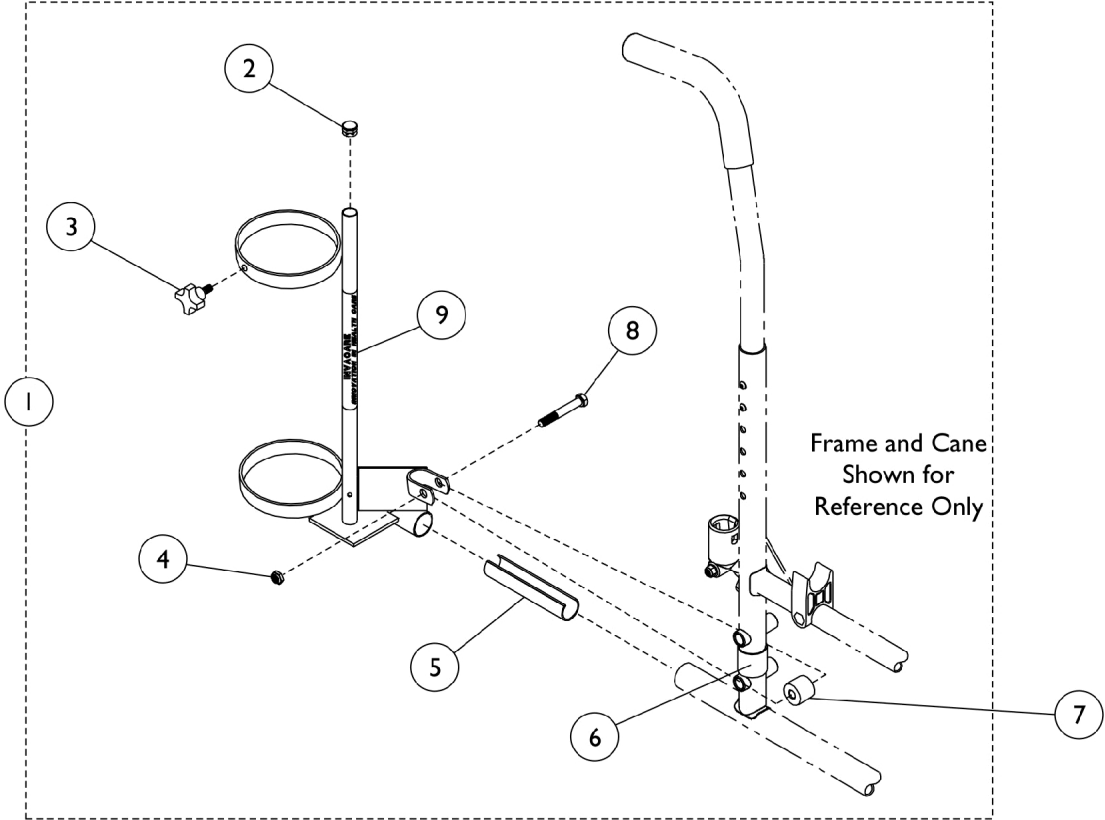


Oxygen Holder



Oxygen Holder

Item Number	Note	Part Number	Description	Quantity Per	
				Package	Assembly
1	A	1034218-NLA	NLA - Holder, Oxygen	1	1
2		1017672	Plug Button, Grey (1/2")	1	1
3		1027684	Knob, Clamping, Black	1	1
4		7930363-NLA	NLA - Package, Locknut (5/16"-24)	25	1
5		1023560	Insert, Guide Tube, Black (3-3/4" Long)	1	1
6		1023618	Insert, Guide Tube, Black (1" Long)	1	1
7		1102577	Spacer, Black (5/16 x 11/16 x 15/16")	1	1
8		11239X000-NLA	NLA - Screw, Hex Head (5/16-24 x 1-3/4")	1	1
9		1095497	Decal, Invacare Logo (1.6)	1	1
	B	1027930	Instruction Sheet, Oxygen Holder	1	1

NOTE: A - Includes items 2-9 and an instruction sheet. Item 7 may not be required for assembly.
 B - Not shown.