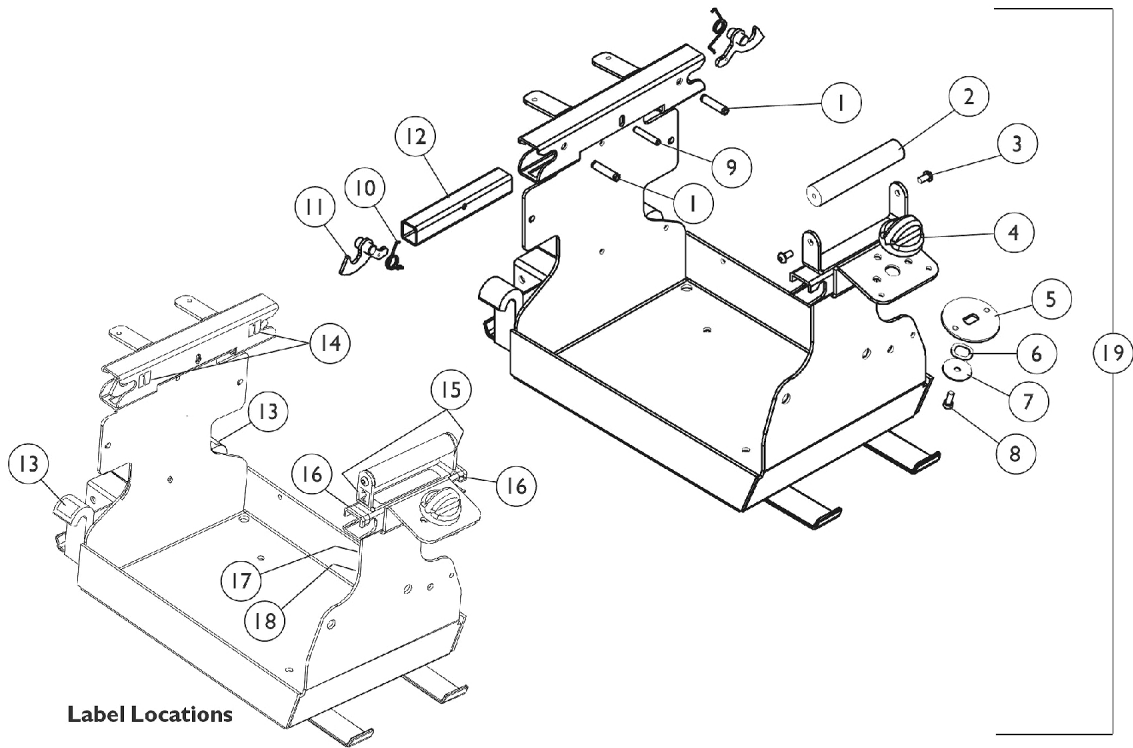
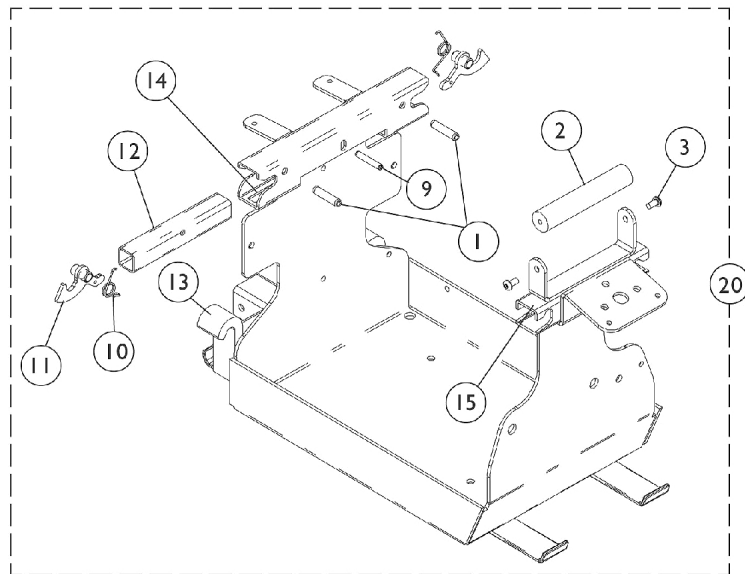


# Battery Tray Assembly



Before 7/14/03



After 7/13/03

## Battery Tray Assembly

Item Number	Note	Part Number	Description	Quantity Per	
				Package	Assembly
1		1108239-NLA	NLA - Pin, Slotted (1/4 x 1-1/8")	1	2
2		1108462-NLA	NLA - Handle, Battery Tray with Black Nylon Rod	1	1
3		1025354-NLA	NLA - Screw, Socket Button Head (#10-32 x 3/8")	1	2
4		1109033-NLA	NLA - Knob, Shroud, Black	1	1
5		1109034-NLA	NLA - Plate, Latch Shroud	1	1
6		1108475-NLA	NLA - Washer, Wave (17/32 x 3/4 x 1/64")	1	1
7		1109031-NLA	NLA - Washer, Steel (13/64 x 1 x 3/64")	1	1
8		1056087-NLA	NLA - Screw, Socket Head (#10-32 x 1/2")	1	1
9		1109221-NLA	NLA - Pin, Roll (3/16 x 1-1/8")	1	1
10		1106482-NLA	NLA - Spring, Latch Release	1	2
11		1106353-NLA	NLA - Latch, Black	1	2
12		1108063 -NLA	NLA - Handle, Release, Black	1	1
13		1109201-NLA	NLA - Label Marker (3)	1	2
14		1109199-NLA	NLA - Label Marker (1)	1	2
15		1109200-NLA	NLA - Label Marker (2)	1	2
16		1109198-NLA	NLA - Label, Yellow Stripe	1	2
17		1119281-NLA	NLA - Plate, Name, Patent Numbers	1	1
18		1035900	Decal, Transportation	1	1
19	A	1109209-NLA	NLA - Battery Tray Assembly with Labels	1	1
20	B	1121085-NLA	NLA - Battery Tray Assembly with Labels	1	1

NOTE: A - Before 7/14/03. Includes items 1-18  
 B - After 7/13/03. Includes items 1-3,9-15