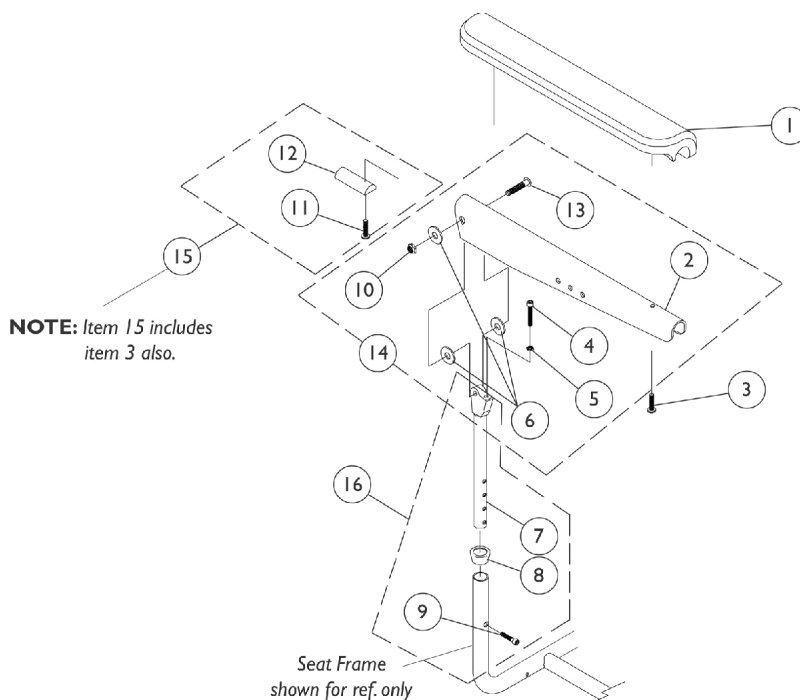


## Arms - Van Seat and Hardware 18" Wide Models (Before 9/1/02)



Item Number	Note	Part Number	Description	Quantity Per	
				Package	Assembly
1	A	1117328	Kit, Arm Pad w/ Screws, Full Length, Urethane Waterfall, Black (13" L x 2-5/8" W)	1	2
2		1071359-NLA	NLA - Plate, Armrest (Black)	1	2
3		1028755	Screw, Phillips Pan Head (#10-32 x 5/8")	1	4
4		1009837	Screw, Socket Button Head (1/4-20 x 1")	1	2
5		1025711-NLA	NLA - Nut, Hex (1/4-20)	1	2
6		1025704	Washer, Flat (5/16 x 5/8 x 1/16")	1	6
7		1070928	Tube, Arm, Upper Height and Width Adjustable, Black	1	2
8		15680X013	Anti-Rattle (1")	1	2
9		1003545	Screw, Socket Head (1/4-20 x 1-1/4")	1	2
10		1026906-NLA	NLA - Locknut (5/16-24)	1	2
11		1102546-NLA	NLA - Screw, Phillips Pan Head (#10-32 x 7/8")	1	2
12		1070106-NLA	NLA - Insert, Armrest, Black	1	2
13		1031026	Screw w/ Lug (5/16-24 x 1-3/8")	1	2
14	B	1074120-NLA	NLA - Kit, Armrest Attaching Hardware (Pair)	2	1
15	C	1073378-NLA	NLA - Kit, Arm Pad Attaching Hardware	2	1
16	D	1070756-NLA	NLA - Arm Tube Assembly, Upper Adjustable (Pair)	2	1
<p><b>NOTE:</b> A - As of 1/3/02 upholstered waterfall armpads were replaced with black urethane waterfall armpads. Order in pairs for chairs manufactured before 1/3/02.            B - Includes items 2, 4, 5, 6, 10, 13            C - Includes items 3, 11, 12            D - Includes items 7-9</p>					