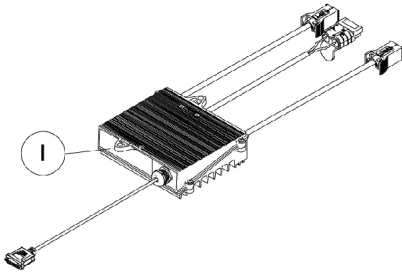
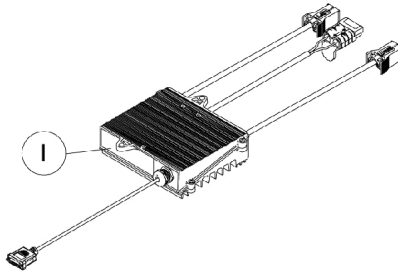


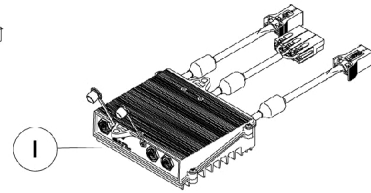
MKIV Controllers, Harness, Programmer and Hardware Before 2/15/03



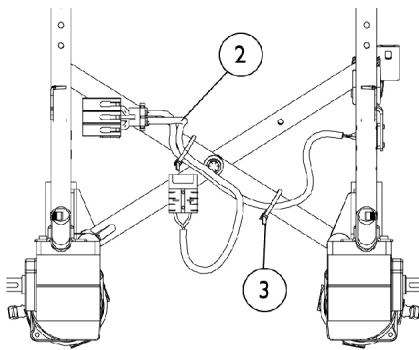
MKIV RII LP Controller
R32 / R32LX / R50LX



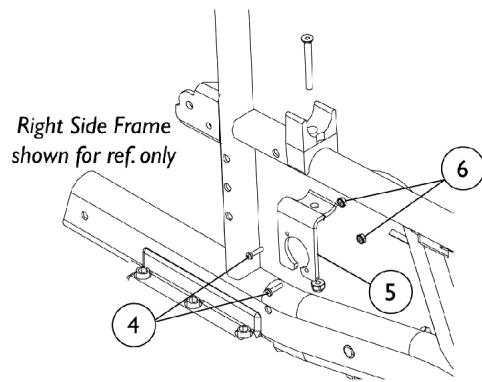
MKIV RII Controller
R51 / R51LX / R51LXP



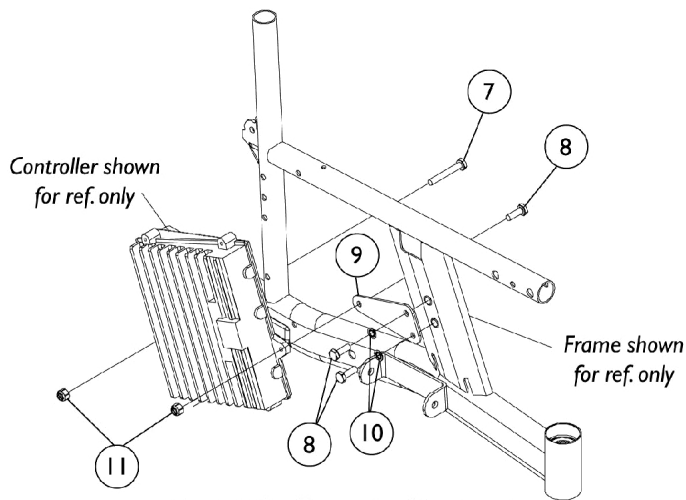
MKIV Controller
R51LXP (Optional)



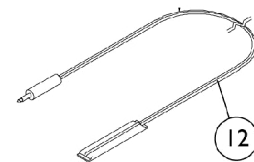
MKIV Controller Harness
R51LXP (Optional)



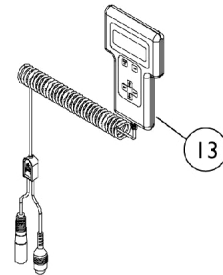
MKIV Controller Harness Hardware
R51LXP (Optional)



Controller Mounting Hardware



12



13

MKIV Controllers, Harness, Programmer and Hardware Before 2/15/03

Item Number	Note	Part Number	Description	Quantity Per	
				Package	Assembly
1	D	1095261-NLA	NLA - Controller	1	1
1	E	1092603-NLA	NLA - Controller, MKIV RII	1	1
1	F	1105707-NLA	NLA - Controller, MKIV Quad Pulse	1	1
2	A	1108623-NLA	NLA - Harness, Wiring, Controller	1	1
3		98007X005	Tie Wrap (11-1/2" L)	1	2
4		7930318-NLA	NLA - Package, Screw, Phillips Pan Head (#4-40 x 1/2")	25	2
5		1053837-NLA	NLA - Bracket, Charger Connector, Black	1	1
6		P0870X000	Nut, Hex Keps (#4-40)	1	2
7		1024793-NLA	NLA - Screw, Hex Head (1/4-20 x 1-3/4")	1	1
8		7930326-NLA	NLA - Package, Screw, Hex Head (1/4-20 x 3/4")	25	3
9		1107670-NLA	NLA - Bracket, Controller Mounting, Black - Adult	1	1
9		1107669	Bracket, Controller Mounting, Black - Hemi	1	1
10		1026108	Lockwasher (1/4 x 15/32 x 1/64")	1	2
11		7930333	Locknut (1/4-20)	25	2
	B,C	1106322-NLA	NLA - Controller Mounting Hardware, Adult	1	1
	B,C	1106321-NLA	NLA - Controller Mounting Hardware, Hemi	1	1
12	G	1020818	Switch, Red Flex Ribbon (Tape) Reset	1	1
12	H	1123276	Kit, Switch, Black Egg Reset w/ Hook/Loop Adhesive Back Fastener & Attaching Screws (EGSBLK)	1	1
13		1109091-NLA	NLA - Programmer, Remote	1	1
	C	1058491-NLA	NLA - Connector Boot, Wire	1	1
	C	1095204-NLA	NLA - Cable, Virtual Service, Charger/Modem	1	1

NOTE: A - Includes items 2-6
B - Includes items 7-11
C - Not Shown.
D - MKIV RII LP (R32, R32LX, and R50LX)
E - MKIV RII (R51, R51LX, and R51LXP)
F - MKIV Quad Pulse (R51LXP)(Optional)
G - Before 5/24/04
H - Not Shown. After 5/23/04 the Egg Reset Switch replaced the Red Flex Ribbon (Tape) Reset Switch