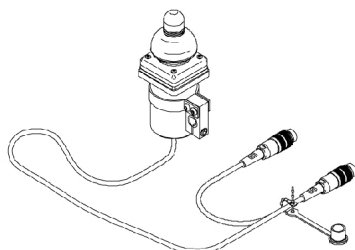


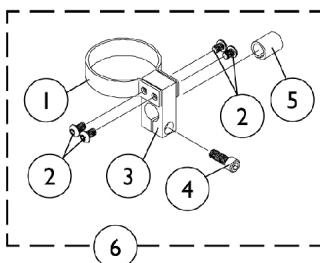
MKIV Joystick Switch Options For MKIV Electronics Only

DUAL JOYSTICK W/ MTG. HARDWARE

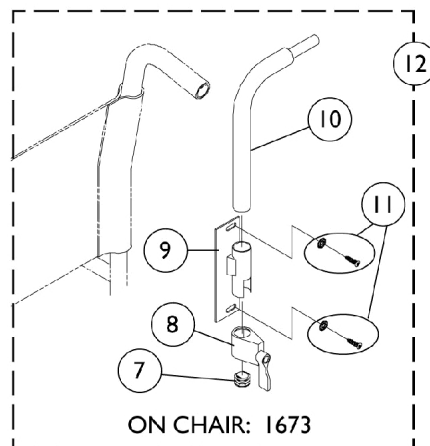


ON CHAIR: 1812M4
OFF CHAIR: 1038638

DUAL JOYSTICK MOUNTING HARDWARE



REAR CANE MOUNT



ON CHAIR: 1673

1020818 Ribbon Reset Switch (1020818) may be required.

Item Number	Note	Part Number	Description	Quantity Per	
				Package	Assembly
1		1025048	Clamp	1	1
2		1021460	Screw, Socket Button Head (#10-32 x 5/16")	1	4
3		1025045-NLA	NLA - Clamp, Mounting	1	1
4		1027089-NLA	NLA - Screw, Socket Head (#10-24 x 1/2")	1	1
5		1026273-NLA	NLA - Spacer, Split (3/8" I.D.)	1	1
6	A	1108012	Hardware, Dual/Compact Joystick Clamp Mounting	1	1
7		1027095	Plug Button, Black (7/8")	1	1
8		1027274	Adjustment Lock Assembly, Black	1	1
9		1025245-NLA	NLA - Bracket, Upright, Black -Right	1	1
10		1044918-NLA	NLA - Tube, Joystick	1	1
11		1026298	Package, Screw with Washer (#10 x 7/8") (Pair)	2	1
11		1076284	Screw w/ Washer (#10 x 7/8")	1	2
12	B,D	1044917	Hardware, Rear Cane Mount (1673/RCM)	1	1
	C	1038638-NLA	NLA - Joystick, MKIV Dual/Compact	1	1
	E,F	1020818	Switch, Red Flex Ribbon (Tape) Reset	1	1
	G	1123276	Kit, Switch, Black Egg Reset w/ Hook/Loop Adhesive Back Fastener & Attaching Screws (EGSBLK)	1	1

NOTE: A - Includes items 1-5
 B - Includes items 7-11
 C - See pictorial for reference
 D - 1673 Rear Cane Mount
 E - Not Shown
 F - Before 5/24/04
 G - Not Shown. After 5/23/04 the Egg Reset Switch replaced the Red Flex Ribbon (Tape) Reset Switch