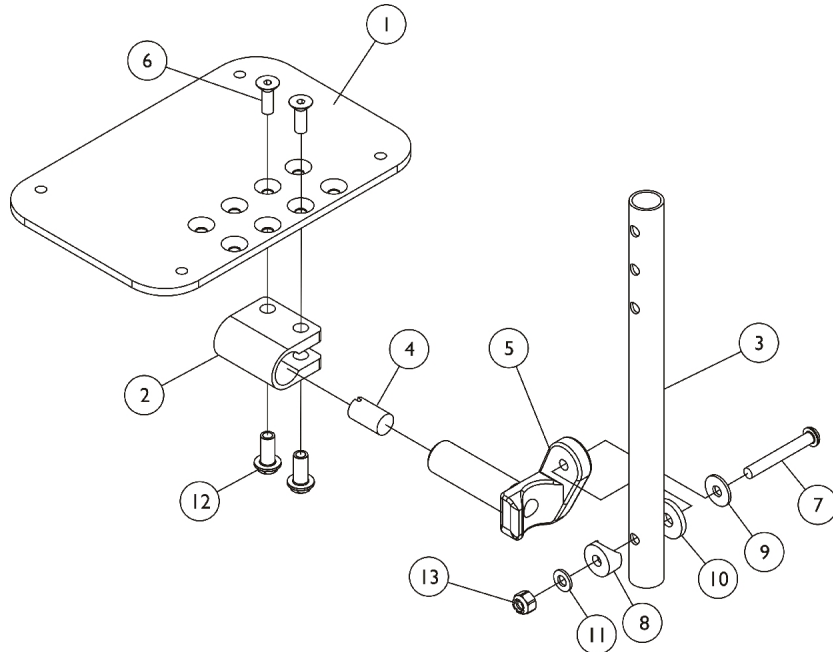


AT5543 Adjustable Angle Footplate Assemblies

For the Following Footrests: PW93, PW93E

Note: Heel Loops are not included. See footrest and legrest accessories.

Note: For complete pivot/slide tube and footplate assemblies, see front riggings reference charts.



Item Number	Note	Part Number	Description	Quantity Per	
				Package	Assembly
1	A,C	1113573	Footplate, Adjustable Angle, Large, Black (5-1/4" W x 8" L)	1	1
1	B,C	1113574	Footplate, Adjustable Angle, Extra Large, Black (6-1/4" W x 8" L)	1	1
2		1058517	Clamp, Footplate	1	1
3		1057855	Tube, Pivot and Slide, Straight, Steel, Black (9-7/8" L)	1	1
4		1048816	Screw, Nylon Adjustment (1/2-13 x 7/8")	1	1
5		1052102	Hinge, Footplate - Right	1	1
5		1052103	Hinge, Footplate - Left	1	1
6		1029545	Screw, Socket Flat Head (1/4-20 x 3/4")	1	2
7		7930321-NLA	NLA Package, Screw, Socket Button Head (1/4-20 x 1-7/8")	25	1
8		1025457	Spacer, Coved (1/4 x 3/4 x 11/32")	1	1
9		1026900	Washer (1/4 x 23/32 x 1/16")	1	1
10		7930313	Package, Washer, Nylon (5/16 x 7/8 x 1/8")	25	1
11		1026907	Washer (1/4 x 1/2 x 1/16")	1	1
12		1082686	Nut, Barrel, Hex Head (1/4-20 x 11/16")	1	2
13		7930333	Locknut (1/4-20)	25	1

NOTE: A - 14" Wide
 B - 16-20" Wide
 C - This footplate was revised 9/2/2008 with rounder corners and accessory holes changed from 8 to 4. Recommended to replace footplate in pairs to match sides.