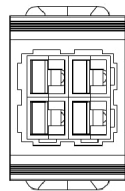
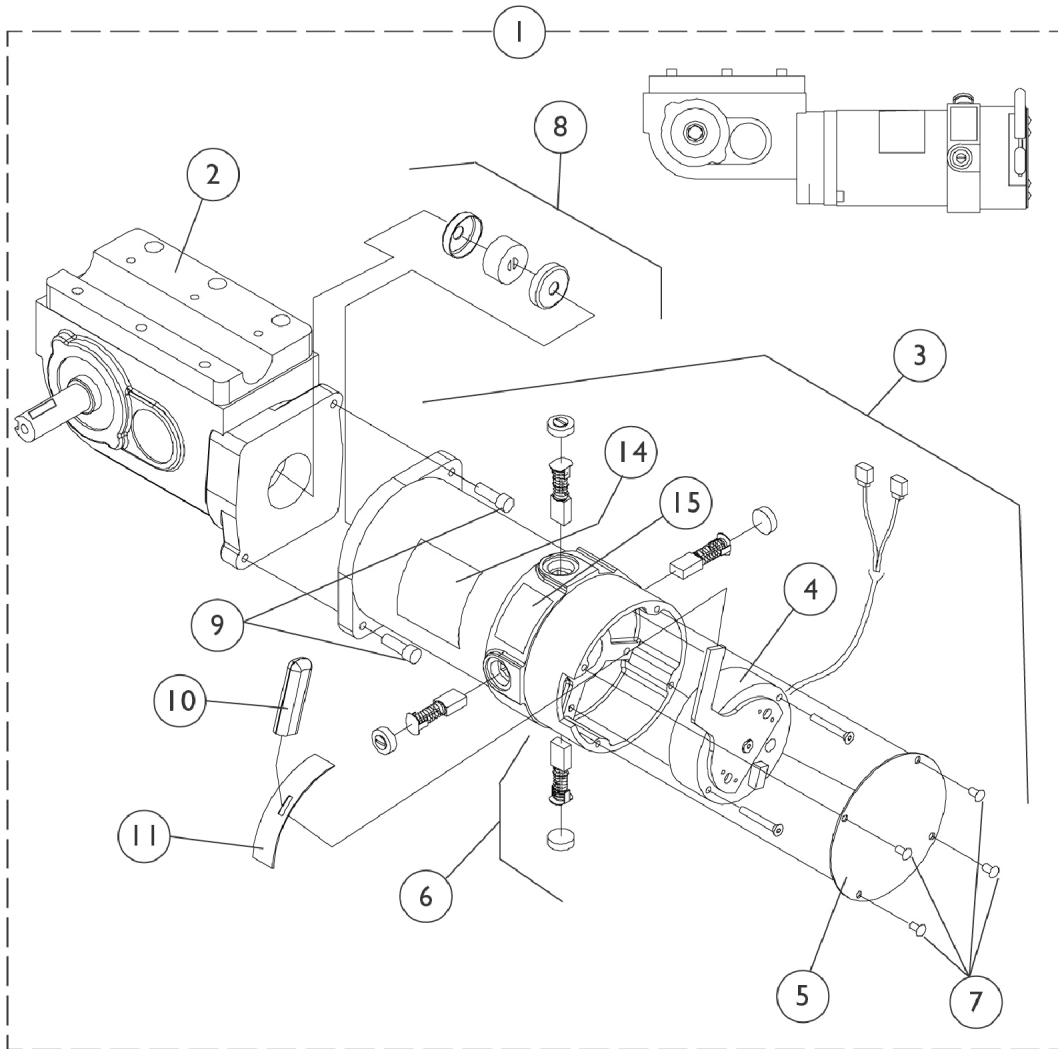
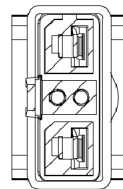


4-Pole Motor and Gearbox Assembly

Model R51LXP only



**Motor Connector
(Square)**
Before 2/15/03 for
MKIV Electronics



**Motor Connector
(Rectangular)**
After 2/14/03 for
MK5 Electronics

4-Pole Motor and Gearbox Assembly Model R51LXP only

Item Number	Note	Part Number	Description	Quantity Per	
				Package	Assembly
1	A,B	1109167-NLA	NLA - Motor/Gearbox Assembly (RWD=R;MWD=L)	1	1
1	A,B	1109168-NLA	NLA - Motor/Gearbox Assembly (RWD=L;MWD=R)	1	1
1	A,C,D, G	1124268-NLA	NLA - Motor/Gearbox Assembly (RWD=R;MWD=L)	1	1
1	A,C,D, G	1124269-NLA	NLA - Motor/Gearbox Assembly (RWD=L;MWD=R)	1	1
2	F	1086221	Gearbox, RWD=R;MWD=L	1	1
2	F	1086222-NLA	NLA - Gearbox, RWD=L;MWD=R	1	1
3	A,B	1109228-NLA	NLA - Motor Assembly - RWD=R;MWD=L	1	1
3	A,B	1109229-NLA	NLA - Motor Assembly - RWD=L;MWD=R	1	1
3	A,C	1114905-NLA	NLA - Motor Assembly - RWD=R;MWD=L	1	1
3	A,C	1114906-NLA	NLA - Motor Assembly - RWD=L;MWD=R	1	1
4	I	1070294-NLA	NLA - Kit, Brake Repair, RWD=R, MWD=L	1	1
4	I	1070295-NLA	NLA - Kit, Brake Repair, RWD=L, MWD=R	1	1
5		1104402-NLA	NLA - Cover, Brake w/ Screws, Black	1	1
6	H	1070296-NLA	NLA - Kit, Brushes with Caps, 4-Pole	4	1
			Brush, Motor, 4 Pole	1	4
			Cap, Brush	1	4
			Instruction Sheet	1	1
7	E	See Note	See Footnote	1	4
8		50000X007-NLA	NLA - Coupling w/ Cup (1-5/16" Diameter)	1	1
9	F	1043594	Screw, Socket Head (1/4-20 x 1-1/8")	1	2
9	F	1108978	Screw, Socket Head (M6 x 1 x 20mm)	1	2
10		1101725	Cap, Brake Lever End, Black	1	1
11		1082985-NLA	NLA - Plate, Slotted	1	1
12		1071505	Screw, Socket w/ Patch (M6 x 1 x 20mm)	1	2
13		1071504-NLA	NLA - Screw, Socket w/ Patch (M6 x 1 x 35mm)	1	3
14		1107654-NLA	NLA - Decal, 4 Pole Motor (650 Watts)	1	1
15		1104797	Decal, Drive/Push	1	1

NOTE: A - Items 14 and 15 not included
 B - Before 2/15/03 for MKIV controller only
 C - After 2/14/03 for MK5 controller only
 D - Always verify with the Customer what model electronics are present. A special quote to have MKIV electronics ordered could be possible. See pictorial to help identify the motor connector plugs that are present.
 E - Refer to item 5
 F - When a new gearbox or mounting screws are ordered, (2 ea.) metric and (2 ea.) non-metric screws (item 9) must be ordered. Invacare Corp. utilizes alternate suppliers for this part number.
 G - As of May 2008, the Metal Motor End Cap will be replaced with a Composite Motor End Cap. The change does not affect form, fit, function or aesthetics.
 H - Kit includes (4) Brushes, (4) Brush Caps and Instruction Sheet.
 I - Use existing screws when installing the Brake Repair Kit. The Motor Brake Mounting Screws are not saleable.