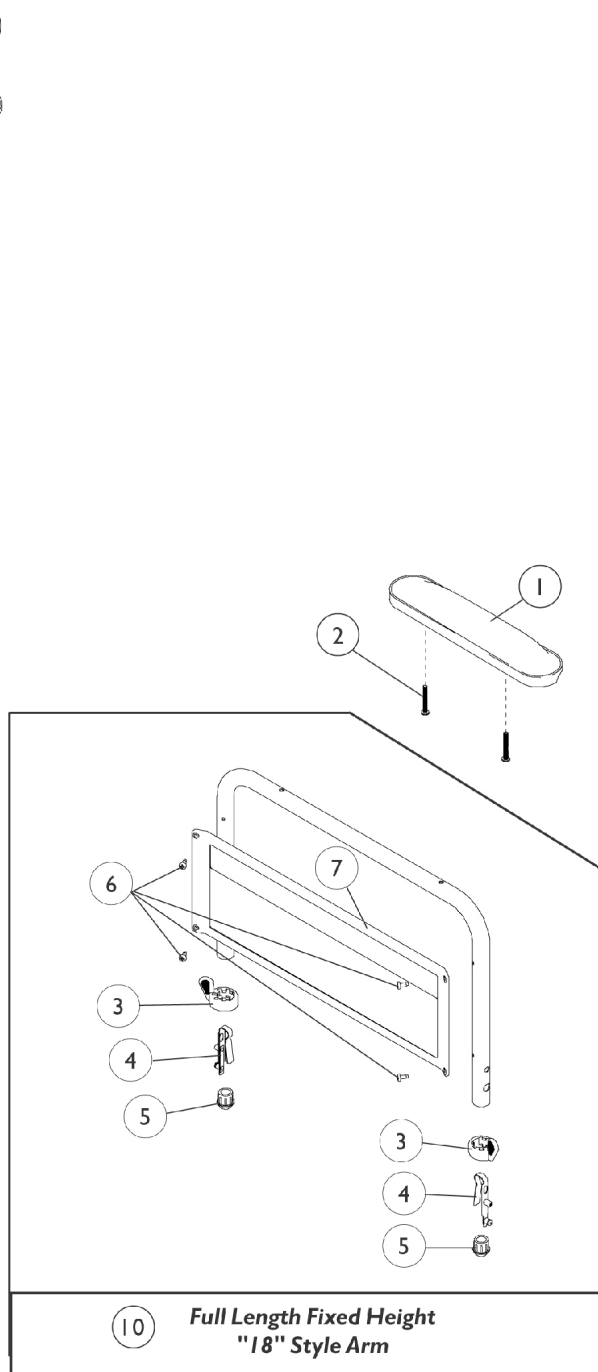
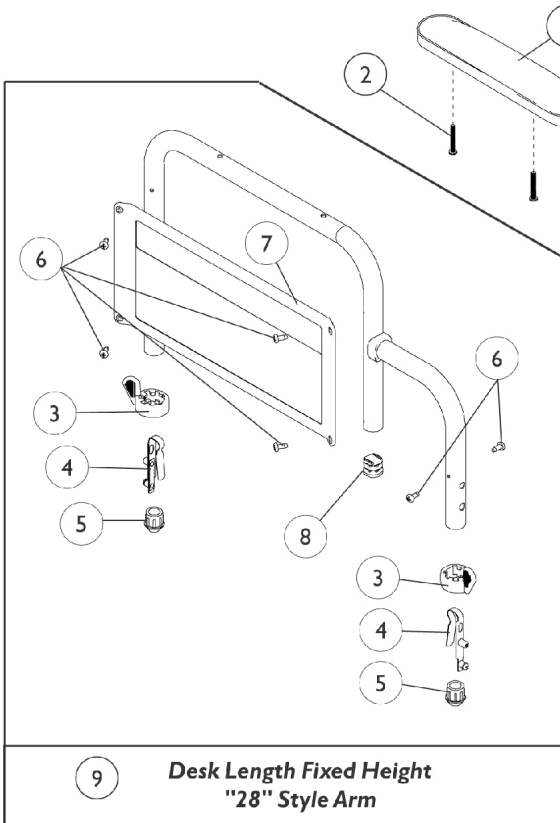


Fixed Height Arms



Fixed Height Arms

Item Number	Note	Part Number	Description	Quantity Per	
				Package	Assembly
1	B,C	8881053578	Kit, Arm Pad w/ Screws, Desk Length (9" L x 2" W) (Pair)	2	1
1	B,C	8881053577	Kit, Arm Pad w/ Screws, Full Length (14" L x 2" W) (Pair)	2	1
1	D	1110817	Kit, Arm Pad w/ Screws, Desk Length, Urethane Waterfall, Black (9" L x 2-5/8" W) (Pair)	2	1
1	D	1110818	Kit, Arm Pad w/ Screws, Full Length, Urethane Waterfall, Black (13" L x 2-5/8" W) (Pair)	2	1
1	B,C	8881011811-NL A	NLA - Pad, Arm, Vinyl, Desk Length (9" L x 2" W)	1	1
1	B,C	8881015932-NL A	NLA - Pad, Arm, Vinyl, Full Length - Right (14" L x 2" W)	1	1
1	B,C	8881015933-NL A	NLA - Pad, Arm, Vinyl, Full Length - Left (14" L x 2" W)	1	1
1	A,D,G	1117327	Kit, Arm Pad w/ Screws, Desk Length, Urethane Waterfall, Black (9" L x 2-5/8" W)	1	1
1	A,D,G	1117328	Kit, Arm Pad w/ Screws, Full Length, Urethane Waterfall, Black (13" L x 2-5/8" W)	1	1
2		1034083-NLA	NLA - Package, Screw Phillips Round Head (#10-32 x 1-1/8")	2	1
2	E	1094270-NLA	NLA - Package, Screw, Phillips Pan Head (#10-32 x 1-1/4")	2	1
3		1015450	Handle, Quad Release	1	2
4		1018225	Spring, Torsion with Button Lock	1	2
5		1036484	Plug, Armrest, Black (3/4") (18GA)	1	2
6	F	1116900	Screw, Self Tapping (#6-20 x 1/2")	1	4
7		1064132	Guard, Clothing, Desk Length - Right/ Left	1	1
7		1064131	Guard, Clothing, Full Length - Right/ Left	1	1
8		1027097	Plug Button, Black (3/4")	1	1
9		1108604-NLA	NLA - Arm Base Assembly, Desk Length, Black - Right	1	1
9		1108605-NLA	NLA - Arm Base Assembly, Desk Length, Black - Left	1	1
10		1108606-NLA	NLA - Arm Assembly, Full Length, Black - Right	1	1
10		1108607-NLA	NLA - Arm Assembly, Full Length, Black - Left	1	1

NOTE: A - As 1/3/02 upholstered waterfall armpads were replaced with black urethane waterfall armpads. Order in pairs with screws for chairs manufactured before 1/3/02.
 B - When ordering, please specify color U67 Black.
 C - R32/R51 Models
 D - LX/LXP Models
 E - For Black Urethane Waterfall Arm Pads Only.
 F - Desk Length takes quantity of 6
 G - After 7/9/07 Invacare recommends ordering armpads in pairs to assure uniform appearance on chair