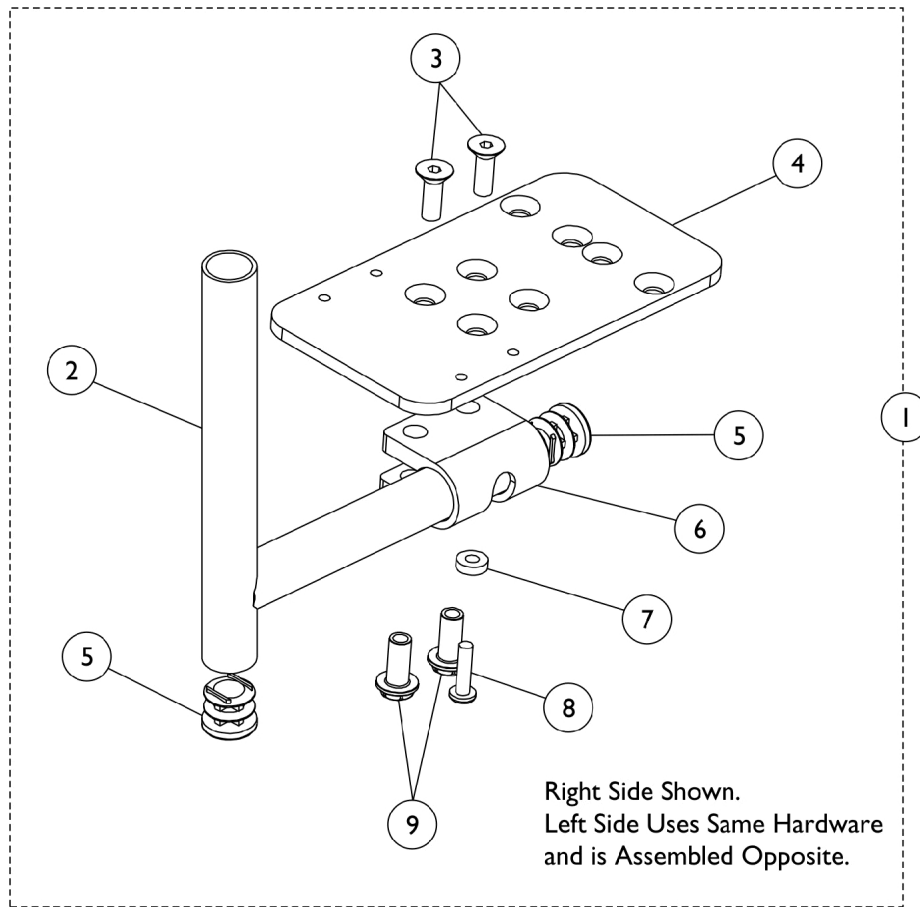


Pivot Slide Tube with Footplate Assembly - J934A



Pivot Slide Tube with Footplate Assembly - J934A

Item Number	Note	Part Number	Description	Quantity Per	
				Package	Assembly
1	A,B,E,G	1102495-NLA	NLA - Pivot/Slide Tube w/ Footplate and Hardware, Chrome (10" Footplate)	1	1
1	A,B,E,G	1135801	Pivot/Slide Tube w/ 10" Footplate and Hardware, Black (6 1/2")	1	1
1	A,C,E,G	1102497-NLA	NLA - Pivot/Slide Tube w/ Footplate and Hardware, Chrome (10" Footplate)	1	1
1	A,C,E,G	1133701	Pivot/Slide Tube w/ Footplate and Hardware, Black	1	1
1	A,D,E,G	1102499-NLA	NLA - Pivot/Slide Tube w/ Footplate and Hardware, Chrome (10" Footplate)	1	1
1	A,D,E,G	1135802	Pivot/Slide Tube w/ 10" Footplate and Hardware, Black (10 1/2")	1	1
1	B,F,G	1102496-NLA	NLA - Pivot/Slide Tube w/ Footplate and Hardware, Chrome (12" Footplate)	1	1
1	B,F,G	1135803	Pivot/Slide Tube w/ 12" Footplate and Hardware, Black (6 1/2")	1	1
1	C,F,G	1102498-NLA	NLA - Pivot/Slide Tube w/ Footplate and Hardware, Chrome (12" Footplate)	1	1
1	C,F,G	1133702	Pivot/Slide Tube w/ Footplate and Hardware, Black	1	1
1	D,F,G	1102500-NLA	NLA - Pivot/Slide Tube w/ Footplate and Hardware, Chrome (12" Footplate)	1	1
1	D,F,G	1135804	Pivot/Slide Tube w/ 12" Footplate and Hardware, Black (10 1/2")	1	1
2	B	1100663-NLA	NLA - Tube, Pivot/Slide, Chrome (6-1/2")	1	1
2	B	1135799	Tube, Pivot/Slide, Black (6-1/2")	1	1
2	C	1100664-NLA	NLA - Tube, Pivot/Slide, Chrome (8-1/2")	1	1
2	C	1133700	Tube, Pivot/Slide, Black (8-1/2")	1	1
2	D	1102011-NLA	NLA - Tube, Pivot/Slide, Chrome (10-1/2")	1	1
2	D	1135800	Tube, Pivot/Slide, Black (10-1/2")	1	1
3		1029545	Screw, Socket Flat Head (1/4-20 x 3/4")	1	2
4		1100988	Footplate, Black (3-1/4" W x 6" L) (10" W)	1	1
4		1100989	Footplate, Black (4-1/4" W x 6-1/2" L) (12" W)	1	1
5		1027097	Plug Button, Black (3/4")	1	2
6		1100991	Clamp, Footplate	1	1
7		16347X000-NLA	NLA - Washer, Nylon (3/16 x 7/16 x 1/8")	1	1
8		1030979	Screw, Phillips Pan Head Tap (#10-32 x 3/4")	1	1
9		1082686	Nut, Barrel, Hex Head (1/4-20 x 11/16")	1	2

NOTE: A - Right side assembly shown. Left side uses same hardware and is assembled opposite.
 B - Knee-to-Heel range 7-10".
 C - Knee-to-Heel range 9-12".
 D - Knee-to-Heel range 11-14".
 E - Chair width 10".
 F - Chair width 12-14".
 G - Includes items 2-9.