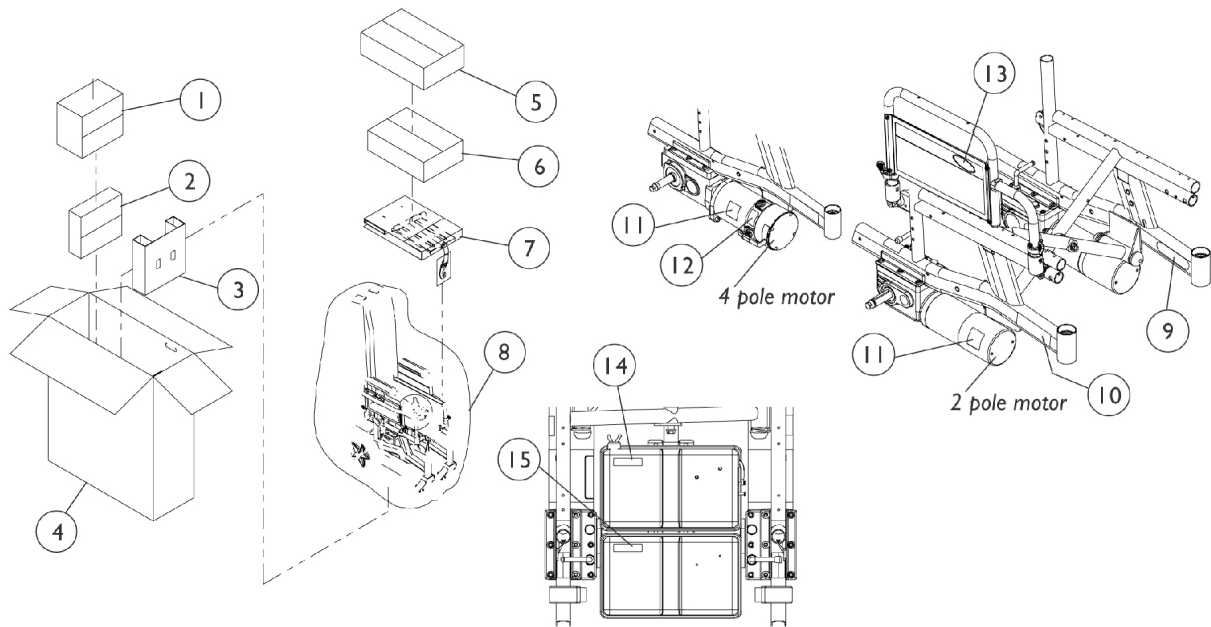


Cartons, Bags, Literature & Decals



Cartons, Bags, Literature & Decals

Item Number	Note	Part Number	Description	Quantity Per	
				Package	Assembly
1		1023167-NLA	NLA - Carton, Battery Boxes	1	1
2		40131X148-NLA	NLA - Carton, Hardware	1	1
3		1108625-NLA	NLA - Insert, Carton	1	1
4		1074355-NLA	NLA - Carton	1	1
5	B	40131X011-NLA	NLA - Carton, Front Riggings	1	1
6		1023607-NLA	NLA - Carton	1	1
7		1023165-NLA	NLA - Insert, Carton	1	1
8		1015592	Bag, Poly (72" L x 35" W x 19" D)	1	1
9		1035900	Decal, Transportation	1	1
10		1107645-NLA	NLA - Decal, Model - R32	1	2
10		1107646-NLA	NLA - Decal, Model - R32LX	1	2
10		1107647-NLA	NLA - Decal, Model - R50LX	1	2
10		1107648-NLA	NLA - Decal, Model - R51	1	2
10		1107649-NLA	NLA - Decal, Model - R51LX	1	2
10		1107650-NLA	NLA - Decal, Model - R51LXP	1	2
11		1107653-NLA	NLA - Decal, 2 Pole Motor (350 Watts)	1	2
11		1107654-NLA	NLA - Decal, 4 Pole Motor (650 Watts)	1	2
12		1104797	Decal, Drive/Push	1	2
13		1095489	Decal, Invacare 3-D Logo (2-1/2" L)	1	2
14		1107651-NLA	NLA - Decal, Front Battery Cover	1	1
15		1107652-NLA	NLA - Decal, Rear Battery Cover	1	1
	A,C	1095272-NLA	NLA - Instruction Manual, MKIV RII	1	1
	A,C	1095273-NLA	NLA - Instruction Manual, MKIV RII LP	1	1
	A,C	1106644-NLA	NLA - Owner's Manual - R32 and R32LX	1	1
	A,C	1106645-NLA	NLA - Owner's Manual - R50LX R51 R51LX and R51LXP	1	1
	A,C	1110532-NLA	NLA - Instruction Manual, MK5 NX/NX-LP	1	1
<p>NOTE: A - Not Shown. B - Required only with Hemi Models. C - Item is no longer available from the Invacare Service Parts Department. Refer to the Invacare Website under "Product Literature Search". Enter the part number in the "Keywords" field and download a free PDF version copy.</p>					
<p>Note: When adjusting or replacing parts, please refer to your Owner's Manual.</p>					