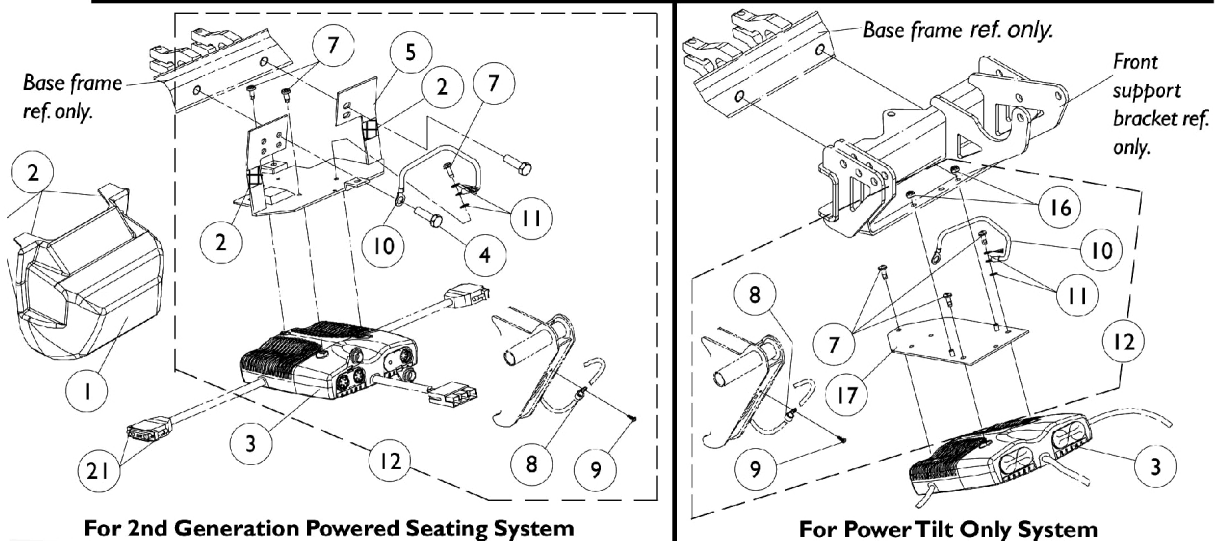
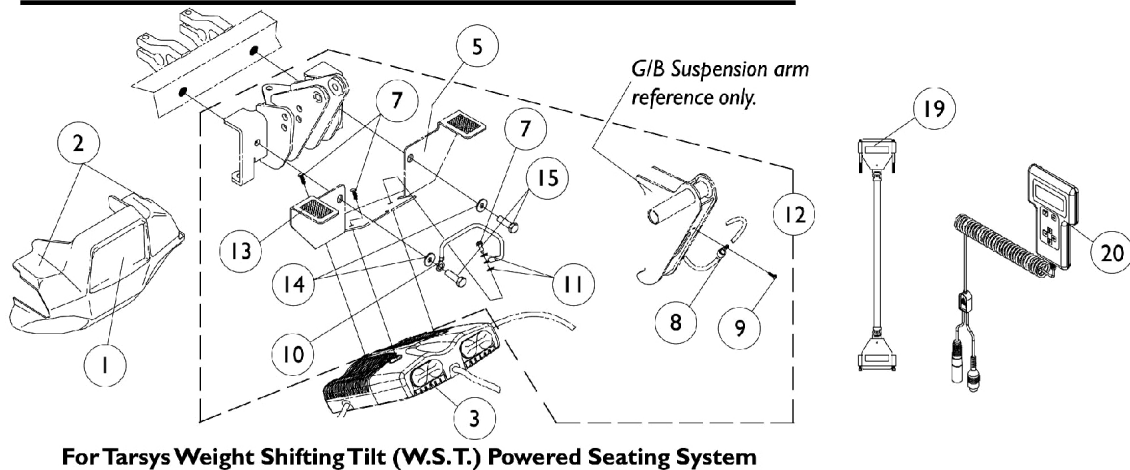
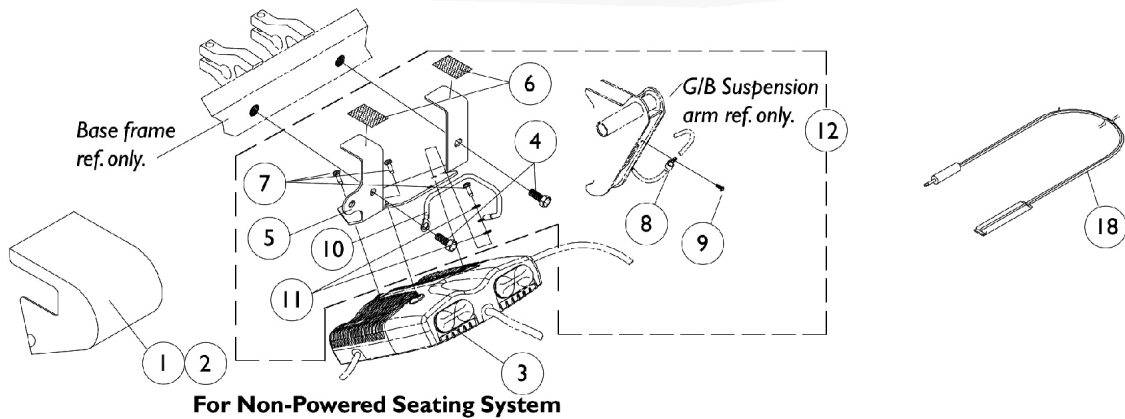


MKIV Controller, Programmer and Hardware

Gearless/Brushless

NOTE: Gearless/ Brushless motors were made available on-chair as an option for Storm Arrow, Ranger X and Torque 11/2/98. On 7/1/99 Gearless/ Brushless motors became standard for Storm Arrow only.



MKIV Controller, Programmer and Hardware

Gearless/Brushless

NOTE: Gearless/ Brushless motors were made available on-chair as an option for Storm Arrow, Ranger X and Torque 11/2/98. On 7/1/99 Gearless/ Brushless motors became standard for Storm Arrow only.

Item Number	Note	Part Number	Description	Quantity Per	
				Package	Assembly
1	G	1070407-NLA	NLA - Shroud Cover with Fastener Strips, Controller	1	1
1	H	1082320-NLA	NLA - Cover, Shroud with Fastener Strips, Controller	1	1
1	I	1091310-NLA	NLA - Cover, Controller Shroud w/ Hardware	1	1
2	G	1079246-NLA	NLA - Fastener, Loop Adhesive Back (1" W x 3" L)	1	2
2	H	0065400	Fastener, Loop Adhesive Back (2" W x 1-1/2" L)	1	2
2	I	1092662-NLA	NLA - Package, Fastener, Dual Lock 250 (1/2" W x 7/8" L)	10	4
3	B,C,S	1110861-NLA	NLA - Controller with Instructions, MKIV GB (TrueTrack) Non-Heavy Duty	1	1
3	B,C,T	1109540-NLA	NLA - Controller with Instructions, MKIV GB (TrueTrack) Non-Heavy Duty	1	1
4		1104258	Screw, Hex Head w/ Patch (5/16-18 x 1")	1	2
5	G	1092661-NLA	NLA - Bracket w/ Fastener Strips, Controller Mounting	1	1
5	H	1082321-NLA	NLA - Bracket, with Fastener Strips Controller Mounting	1	1
5	I	1092659-NLA	NLA - Kit, Controller Mounting Bracket with Fastener Strips, Black	1	1
6		1070504-NLA	NLA - Fastener, Hook with Adhesive Back (1" W x 1" L)	1	2
7		1104259	Screw, Phillips Pan Head w/ Patch (#10-32 x 1/2")	1	3
8		1079245-NLA	NLA - Clamp, Cable	1	2
9		1028755	Screw, Phillips Pan Head (#10-32 x 5/8")	1	2
10		1104260-NLA	NLA - Wire, Grounding Jumper Strap E.S.D.	1	1
11		1027263-NLA	NLA - Washer, Lock Internal Tooth (#10)	1	2
12	G,L	1079244-NLA	NLA - Hardware, Controller Bracket Mounting (GB)	1	1
12	D,I	1092651-NLA	NLA - Bracket with Hardware, Controller Mounting	1	1
12	E,J	1107311-NLA	NLA - Bracket with Hardware, Controller Mounting	1	1
12	H,K	1082689-NLA	NLA - Hardware, Bracket, Controller Mounting	1	2
13		0065100-NLA	NLA - Hook Fastener with Adhesive Back (2" W x 1-1/2" L)	1	2
14		1079247	Washer, Flat (21/64 x 53/64 x 7/64")	1	2
15		1104257	Screw, Hex Head w/ Patch (5/16-18 x 1-1/4")	1	1
16		7930332-NLA	NLA - Locknut, High Profile (#10-32)	25	2
17		1087790-NLA	NLA - Bracket, Controller Mounting, Black	1	1
18		1020818	Switch, Red Flex Ribbon (Tape) Reset	1	1
18	U	1123276	Kit, Switch, Black Egg Reset w/ Hook/Loop Adhesive Back Fastener & Attaching Screws (EGSBLK)	1	1
19	A	1091121-NLA	NLA - Cable, Motor Extension, GB (8")	1	2
20		1109091-NLA	NLA - Programmer, Remote	1	1
21		1159217	Package, Thumb Screw (1-1/2" L)	10	1
	F,M	1105910-NLA	NLA - Kit, ESD Ground Strap - GB	1	1
	F,V	1105911-NLA	NLA - Instruction Sheet, ESD Kit (GB)	1	1

MKIV Controller, Programmer and Hardware

Gearless/Brushless

NOTE: Gearless/ Brushless motors were made available on-chair as an option for Storm Arrow, Ranger X and Torque 11/2/98. On 7/1/99 Gearless/ Brushless motors became standard for Storm Arrow only.

Item Number	Note	Part Number	Description	Quantity Per	
				Package	Assembly
	F,N	1118363-NLA	NLA - Instruction Sheet, Replacing and Calibrating MKIV (GB) Controller	1	1
	F,O	1043576-NLA	NLA - Service Manual, MKIV Electronics	1	1
	F,P	1064404-NLA	NLA - Virtual Service Modem Kit	1	1
	F	1095204-NLA	NLA - Cable, Virtual Service, Charger/Modem	1	1
	F,Q	1091631-NLA	NLA - Virtual Service Software Kit	1	1
	F	1091980-NLA	NLA - Disk, 3.5 H.D. Floppy with V.S. Software	1	1
	F	1091637-NLA	NLA - Adaptor, Null Modem	1	1
	F	1091636-NLA	NLA - Service Manual - V.S. Software Kit	1	1
	F,P	1103051-NLA	NLA - MKIV One 2 One Software Kit	1	1
	F,R	1046117-NLA	NLA - Printer and Interface	1	1
	F	1026572-NLA	NLA - Paper, Printer	1	1
	F	1027280-NLA	NLA - Harness, Printer Wiring	1	1

NOTE:

- A - Extension cables to be used with testing equipment only.
- B - Controller w/o instructions before 4/1/02 is 1079890 and after 3/31/02 is 1109528 as noted on the controller decal.
- C - It is recommended that an E.S.D. strap kit part number 1105910 be ordered when a new controller is needed.
- D - Includes items 2, 4, 5, and 7-11.
- E - Includes items 7-11, 16, and 17.
- F - Not Shown
- G - Used on Non-powered Seating Systems.
- H - Used on W.S.T. Powered Seating Systems.
- I - Used on 2nd Generation Powered Seating Systems.
- J - Used on Power Tilt System.
- K - Includes items 7-11 and 13-14.
- L - Includes items 4-11.
- M - Includes items 4, 7, 10-11, 15, and Instruction Sheet.
- N - Used for Controllers Manufactured before 4/1/02.
- O - Used for Controllers Manufactured after 3/31/02.
- P - Part # 1095204 is available for individual sale.
- Q - Part # 1091980, 1091637, 1091636, and 1095204 are available for individual sale.
- R - Part # 1026572 and 1027280 are available for individual sale.
- S - Controller for chairs made before 4/1/02. No Longer Available. Use part number 1109540 as a replacement.
- T - Controller for chairs made after 3/31/02
- U - Not Shown. After 5/23/04 the Egg Reset Switch became available as a service part and can be used as a direct replacement for the tape reset switch part # 1020818.
- V - Item is no longer available from the Invacare Service Parts Department. Refer to the Invacare Website under "Product Literature Search". Enter the part number in the "Keywords" field and download a free PDF version copy.