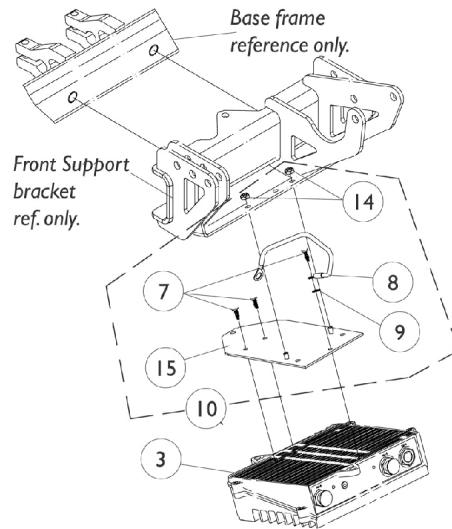
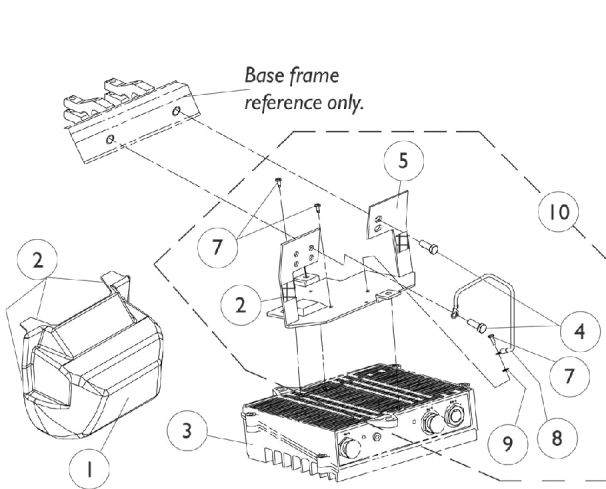
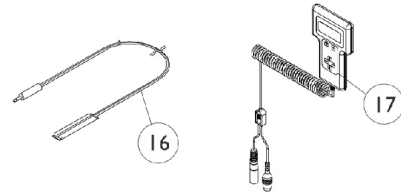
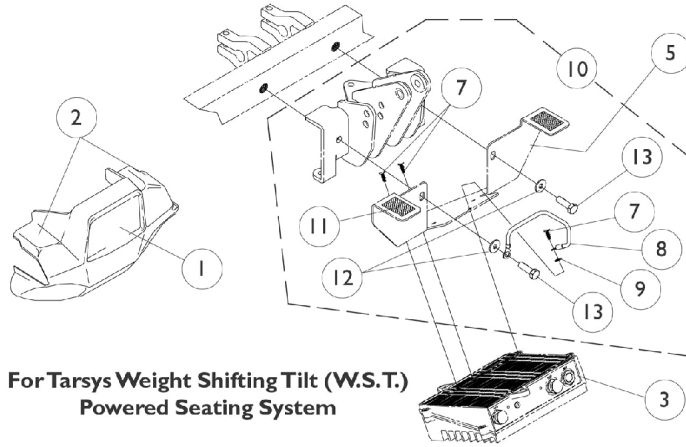
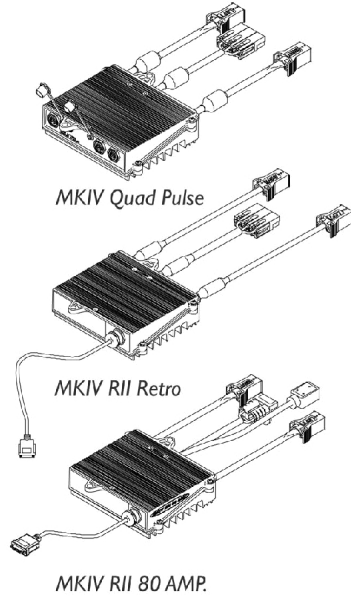
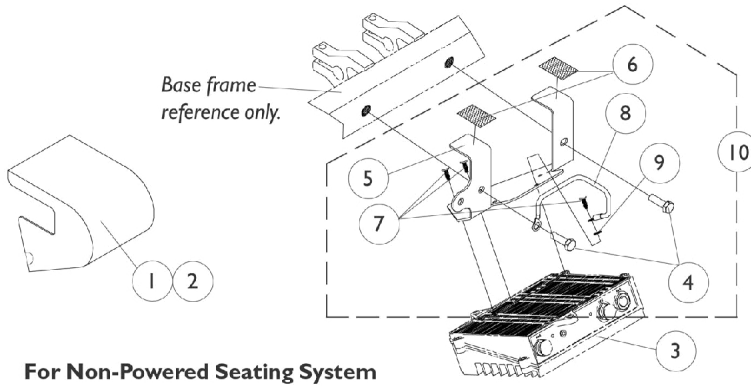


MKIV Controllers, Programmer and Hardware

MKIV Quad Pulse, RII Retro, and RII 80 Amp.



MKIV Controllers, Programmer and Hardware

MKIV Quad Pulse, RII Retro, and RII 80 Amp.

Item Number	Note	Part Number	Description	Quantity Per	
				Package	Assembly
1	A	1070407-NLA	NLA - Shroud Cover with Fastener Strips, Controller	1	1
1	B	1082320-NLA	NLA - Cover, Shroud with Fastener Strips, Controller	1	1
1	C	1091310-NLA	NLA - Cover, Controller Shroud w/ Hardware	1	1
2	A	1079246-NLA	NLA - Fastener, Loop Adhesive Back (1" W x 3" L)	1	2
2	B	0065400	Fastener, Loop Adhesive Back (2" W x 1-1/2" L)	1	2
2	C	1092662-NLA	NLA - Package, Fastener, Dual Lock 250 (1/2" W x 7/8" L)	10	4
3	D	1105707-NLA	NLA - Controller, MKIV Quad Pulse	1	1
3	D	1095269-NLA	NLA - Controller, MKIV RII, Retro	1	1
3	E,F,G	1106819-NLA	NLA - Controller, MKIV RII (80 AMP)	1	1
4		1104258	Screw, Hex Head w/ Patch (5/16-18 x 1")	1	2
5	A	1092661-NLA	NLA - Bracket w/ Fastener Strips, Controller Mounting	1	1
5	B	1082321-NLA	NLA - Bracket, with Fastener Strips Controller Mounting	1	1
5	C	1092659-NLA	NLA - Kit, Controller Mounting Bracket with Fastener Strips, Black	1	1
6		1070504-NLA	NLA - Fastener, Hook with Adhesive Back (1" W x 1" L)	1	2
7		1040223-NLA	NLA - Screw (#8-32 x 1/2")	1	3
8		1104260-NLA	NLA - Wire, Grounding Jumper Strap E.S.D.	1	1
9		1027263-NLA	NLA - Washer, Lock Internal Tooth (#10)	1	1
10	A,H	1070401-NLA	NLA - Bracket with Hardware, Controller Mounting	1	1
10	C,I	1092650-NLA	NLA - Bracket with Hardware, Controller Mounting	1	1
10	J	1107312-NLA	NLA - Bracket with Hardware, Controller Mounting	1	1
10	B,K	1083451-NLA	NLA - Hardware, Controller Mounting without Bracket	1	2
11		0065100-NLA	NLA - Hook Fastener with Adhesive Back (2" W x 1-1/2" L)	1	2
12		1079247	Washer, Flat (21/64 x 53/64 x 7/64")	1	2
13		1104257	Screw, Hex Head w/ Patch (5/16-18 x 1-1/4")	25	2
14		7930332-NLA	NLA - Locknut, High Profile (#10-32)	1	1
15		1087790-NLA	NLA - Bracket, Controller Mounting, Black	1	1
16		1020818	Switch, Red Flex Ribbon (Tape) Reset	1	1
16	Q	1123276	Kit, Switch, Black Egg Reset w/ Hook/Loop Adhesive Back Fastener & Attaching Screws (EGSBLK)	1	1
17	L	1109091-NLA	NLA - Programmer, Remote	1	1
	M	1105912-NLA	NLA - Kit, Electro Static Discharge Ground Strap - MKIV	1	1
	M,R	1105913-NLA	NLA - Instruction Sheet, E.S.D. Strap Kit MKIV	1	1
	M,N	1064404-NLA	NLA - Virtual Service Modem Kit	1	1
	M,O	1091631-NLA	NLA - Virtual Service Software Kit	1	1
	M,N	1103051-NLA	NLA - MKIV One 2 One Software Kit	1	1
	M,P	1046117-NLA	NLA - Printer and Interface	1	1
	M	1095204-NLA	NLA - Cable, Virtual Service, Charger/Modem	1	1
	M	1091980-NLA	NLA - Disk, 3.5 H.D. Floppy with V.S. Software	1	1

MKIV Controllers, Programmer and Hardware

MKIV Quad Pulse, RII Retro, and RII 80 Amp.

Item Number	Note	Part Number	Description	Quantity Per	
				Package	Assembly
	M	1091637-NLA	NLA - Adaptor, Null Modem	1	1
	M	1091636-NLA	NLA - Service Manual - V.S. Software Kit	1	1
	M	1026572-NLA	NLA - Paper, Printer	1	1
	M	1027280-NLA	NLA - Harness, Printer Wiring	1	1
<p>NOTE: A - Used on Non-powered Seating Systems. B - Used on W.S.T. Powered Seating Systems. C - Used on 2nd Generation Powered Seating Systems. D - For chairs built before 4/12/01, an E.S.D. ground strap kit should be used when a new controller is ordered. E - RII retro controller after 4/30/00 with joystick serve as a direct replacement for joystick/controller part number 1080723. F - Battery harness must be present when the RII 80 Amp. controller is used. RII 80 Amp. joystick decal is also used. Available as a service part upgrade 11/1/01 for all Torque models with 4-pole motors only. G - Torque and Torque SP after 10/31/01. H - Includes items 4-9 I - Includes items 2, 4, 5, and 7-9. J - Includes items 7-9 and 14-15. K - Includes items 7-9 and 11-13 L - Remote programmer with the dual connectors is the only programmer useable with RII Joystick. M - Not Shown. N - Part number 1095204 is available for individual sale O - Part numbers 1091980, 1091637, 1091636 and 1095204 are available for individual sale P - Part numbers 1026572 and 1027280 are available for individual sale Q - Not Shown. After 5/23/04 the Egg Reset Switch became available as a service part and can be used as a direct replacement for the tape reset switch part # 1020818. R - Item is no longer available from the Invacare Service Parts Department. Refer to the Invacare Website under "Product Literature Search". Enter the part number in the "Keywords" field and download a free PDF version copy.</p>					