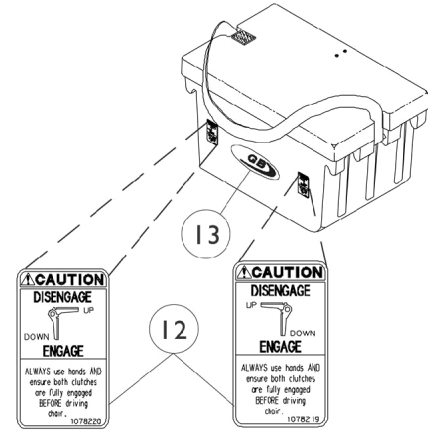
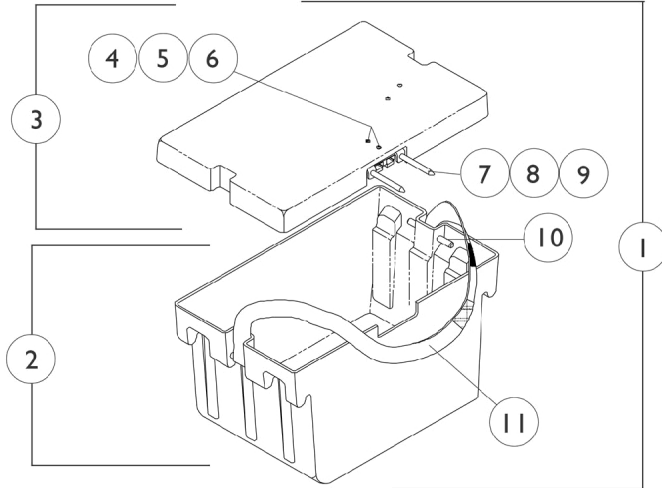


Rear Battery Box for Group 24 Batteries



Left **Right**
Free Wheel Caution Decal For
Gearless/Brushless Only.

Rear Battery Box for Group 24 Batteries

Item Number	Note	Part Number	Description	Quantity Per	
				Package	Assembly
1	F	1041440	Battery Box Assembly w/ Black Battery Connector, Rear	1	1
1	G	1083048-NLA	NLA - Battery Box Assembly with Decal, G/B, Rear	1	1
2	F	1041438	Battery Box Bottom Assembly, Rear	1	1
2	G	1083049-NLA	NLA - Battery Box Bottom Assembly with Decals, G/B, Rear	1	1
3		1085414	Battery Box Lid Assembly w/ Black Battery Connector, Rear	1	1
4		1039773-NLA	NLA - Screw, Phillips Pan Head (#6-32 x 1-1/8")	1	2
5		1043599-NLA	NLA - Washer, Flat (5/32 x 3/8 x 1/32")	1	2
6		P0870X050-NLA	NLA - Nut, Keps (#6-32)	1	2
7		1041421	Pin, Connector Guide	1	2
8		1041422	Ring, Retaining	1	4
9		1041420	Bracket, Connector Guide Mounting	1	1
10		1041433-NLA	NLA - Pin, Handle	1	2
11		1041434	Handle, Strap, Rear Battery Box, Black	1	1
12		1078219-NLA	NLA - Decal, Caution, Free Wheel - Right (G/B)	1	1
12		1078220-NLA	NLA - Decal, Caution, Free Wheel - Left (G/B)	1	1
13		1079259-NLA	NLA - Decal, Gearless/Brushless	1	1
	C,D	50000X166-NLA	NLA - Fuse - Buss 2-1/4" L (60 AMP)	1	1
	A,C,D	1085408-NLA	NLA - Fuse, G/B - Buss Automotive (30 AMP)	1	1
	C,E	1089385	Fuse, MIDI (Non-G/B & G/B) (80 AMP)	1	1
	B,C	1039726	NLA - Harness, Rear Wiring	1	1
	B,C	1085413	NLA - Harness, Wiring, Rear, G/B	1	1
	C	1087205-NLA	NLA - Kit, Upgrade, Group 24 Batteries	1	1
	C,H	1080643	Kit, Upgrade Group 24 Batteries	1	1
			NLA - Instruction Sheet	1	1
			Harness, Wiring, Black Battery Connector, Round Plug, GP24 Dual Battery Box	1	1
			Tie Wrap (11-1/2" L)	1	4
			Battery Box w/ Mount, Group 24	1	1

NOTE: A - Gearless/Brushless uses both 60 Amp. and 30 Amp. inline fuses.
 B - Replace with item 3 part number (1085414) battery box lid assembly.
 C - Not Shown.
 D - Before 6/15/00
 E - After 6/14/00
 F - Arrow, Torque, RX, and all Torque SP's.
 G - Arrow, RX, Torque.
 H - Part number 1085673 is no longer available from the Invacare Service Parts Department. Refer to the Invacare Website under "Product Literature Search". Enter the part number in the "Keywords" field and download a free PDF version copy.