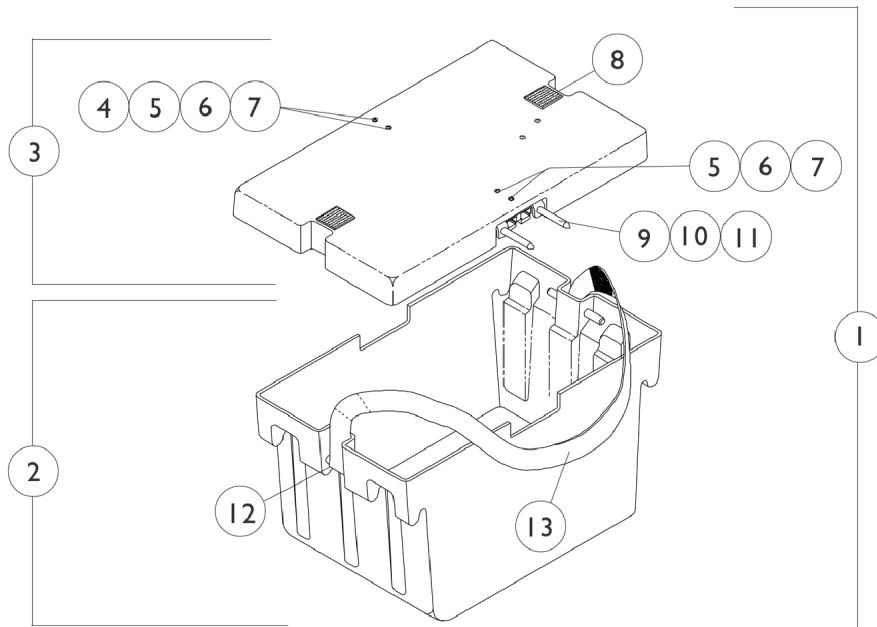


Front Battery Box for Group 24 Batteries

NOTE: Gearless/ Brushless motors were made available on-chair as an option for Storm Arrow, Ranger X and Torque 11/2/98. On 7/1/99 Gearless/ Brushless motors became standard for Storm Arrow only.



Front Battery Box for Group 24 Batteries

NOTE: Gearless/ Brushless motors were made available on-chair as an option for Storm Arrow, Ranger X and Torque 11/2/98. On 7/1/99 Gearless/ Brushless motors became standard for Storm Arrow only.

Item Number	Note	Part Number	Description	Quantity Per	
				Package	Assembly
1		1039705	Battery Box Assembly w/ Black Battery Connector, Front	1	1
2		1041439	Battery Box Bottom Assembly, Front	1	1
3		1041432	Battery Box Lid Assembly w/ Black Battery Connector, Front	1	1
4		1041420	Bracket, Connector Guide Mounting	1	2
5		1043599-NLA	NLA - Washer, Flat (5/32 x 3/8 x 1/32")	1	4
6		1039773-NLA	NLA - Screw, Phillips Pan Head (#6-32 x 1-1/8")	1	4
7		P0870X050-NLA	NLA - Nut, Keps (#6-32)	1	4
8		1070504-NLA	NLA - Fastener, Hook with Adhesive Back (1" W x 1" L)	1	2
9		1041421	Pin, Connector Guide	1	2
10		1041422	Ring, Retaining	1	4
11		1041420	Bracket, Connector Guide Mounting	1	2
12		1041433-NLA	NLA - Pin, Handle	1	2
13		1041435	Handle, Strap, Front Battery Box, Black	1	1
	A,B	1041426	NLA - Harness, Front Wiring	1	1
	B,C,E	1080643	Kit, Upgrade Group 24 Batteries	1	1
			NLA - Instruction Sheet	1	1
			Harness, Wiring, Black Battery Connector, Round Plug, GP24 Dual Battery Box	1	1
			Tie Wrap (11-1/2" L)	1	4
			Battery Box w/ Mount, Group 24	1	1
	B,D	1087205-NLA	NLA - Kit, Upgrade, Group 24 Batteries	1	1

NOTE: A - Replace with item 3 part number (1041432) battery box lid assembly.
 B - Not Shown.
 C - Upgrade for Storm Arrow, RX, and Torque.
 D - Upgrade for Storm RX - Non-G/B.
 E - Part number 1085673 is no longer available from the Invacare Service Parts Department. Refer to the Invacare Website under "Product Literature Search". Enter the part number in the "Keywords" field and download a free PDF version copy.