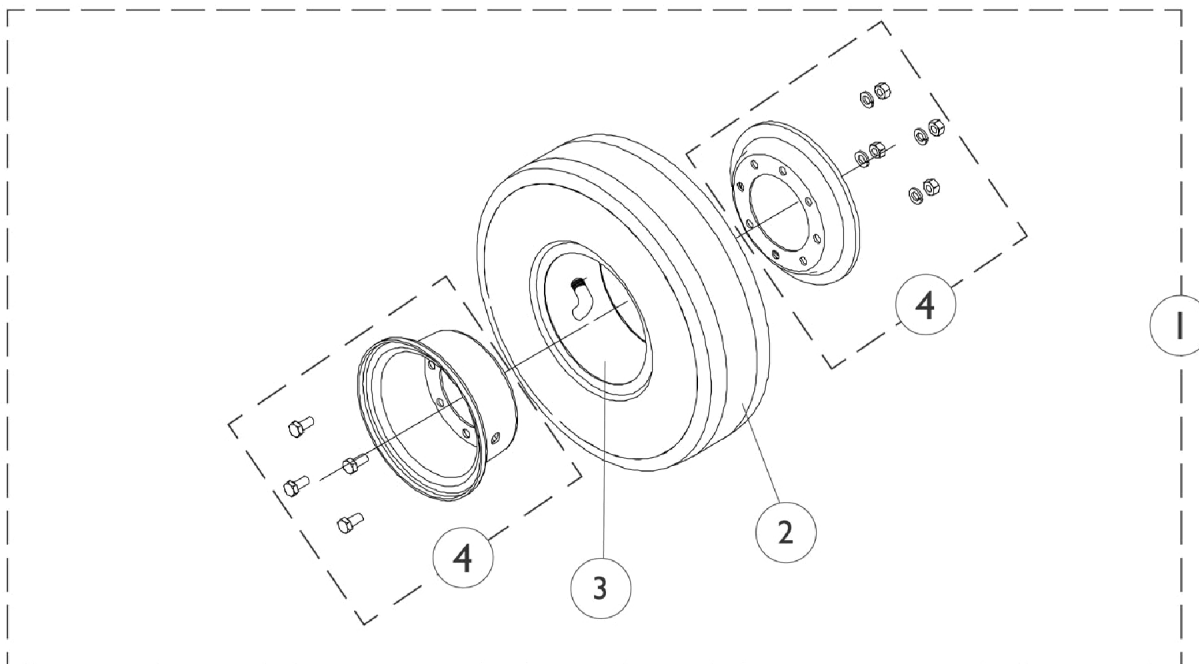


Drive Wheel and Attaching Hardware For Free Wheel Hub (Available ON-CHAIR as of 4/23/99)



Item # 1, 2, and 3

Wheel Size	Item #1 Wheel Complete	Item #1 Wheel Complete with Flat Free	Item #2 Tire	Item #2 Tire with Flat Free	Item #3 Tube
14 x 4"	1079305-NLA See Note(s) A	1079304 See Note(s) A	1042474 See Note(s) A	1042478 See Note(s) A	1042475 See Note(s) A
14 x 3"	1079298	1079301	1039652	1101754	1039651

NOTE: A - This 14 x 4" drive wheel is also used on the Gearless/Brushless non-free wheel hub mount adapter plate.

Drive Wheel and Attaching Hardware For Free Wheel Hub (Available ON-CHAIR as of 4/23/99)

Item Number	Note	Part Number	Description	Quantity Per	
				Package	Assembly
1-3		See Chart	# 1, 2, and 3 Drive Wheel and Attaching Hardware for Free Wheel Hub Mounts	1	1
4		1078246-NLA	NLA - Kit, 6" Rim w/ Hardware (14" x 4" Wheel)	1	1
4		1104889	Rim, 8" w/ Hardware (14 x 3" Wheel)	1	1
	A,B	1024443-NLA	NLA - Screw, Hex Head (5/16-24 x 5/8")	1	4
	A,B	1024442-NLA	NLA - Washer, Lock (5/16 x 9/16 x 1/16")	1	4
	A,B	1024426-NLA	NLA - Nut, Hex (5/16-24)	1	4
	A,C	7930326-NLA	NLA - Package, Screw, Hex Head (1/4-20 x 3/4")	25	8
	A,C	7930333	Locknut (1/4-20)	25	8
	A	40176X010-NLA	NLA - Pump, Tire	1	1
NOTE: A - Not Shown B - Included in rim with hardware part number 1078246 C - Included in rim with hardware part number 1104889					